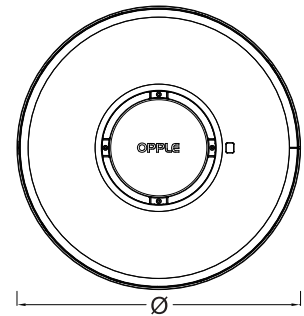
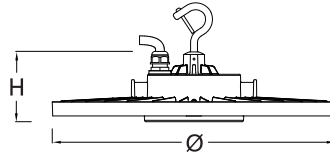
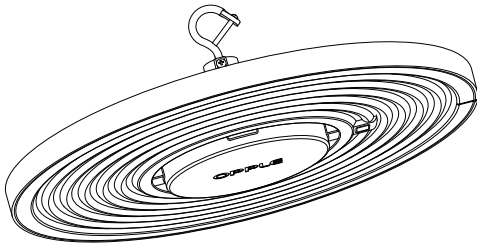


# LED Highbay Ecomax G4

# OPPLE

Version date 2024-06  
www.opple.com



## Technical Specification

Model	CCT	Weight(kg)	H(mm)	Ø(mm)
LED HB-E4 130W-840-N-DALI	4000K	2.47	97	336
LED HB-E4 130W-840-W-DALI	4000K	2.47	97	336
LED HB-E4 130W-840-AS-DALI	4000K	2.47	97	336
LED HB-E4 200W-840-N-DALI	4000K	3.22	97	390
LED HB-E4 200W-840-W-DALI	4000K	3.22	97	390
LED HB-E4 200W-840-AS-DALI	4000K	3.22	97	390

## Light Source

Product Code	Product Description	N	Light Source Code	QR Code	Energy Label
545006006900	LEDHighbay-E4 130W-840-AS-DALI	1	403100704000		
545006006700	LEDHighbay-E4 130W-840-N-DALI	1	403100703000		
545006006800	LEDHighbay-E4 130W-840-W-DALI				
545006007200	LEDHighbay-E3 200W-840-AS-DALI	1	403100706000		
545006007000	LEDHighbay-E4 200W-840-N-DALI	1	403100705000		
545006007100	LEDHighbay-E4 200W-840-W-DALI				

\*Note: This product contains a light source of energy efficiency class (C).

## Installation

### Safety wire installation:

Pass the safety wire through the ceiling or fixed hook.

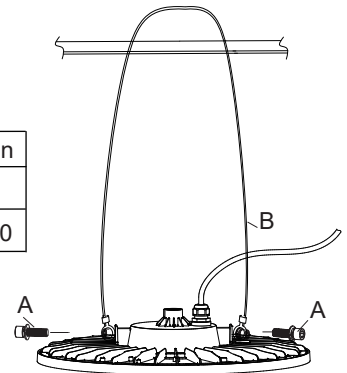
Fasten the two ends of the safety wire to both sides of the lamp body with screws.

Make sure the safety wire is tighten.

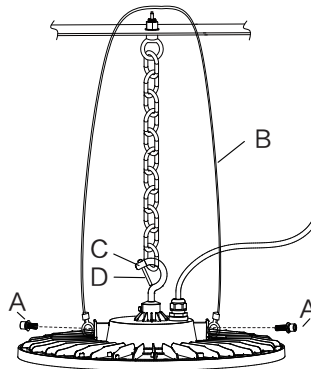
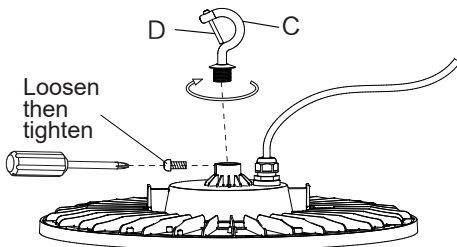


Warning: always take your responsibility to install the additional safety wire to ensure proper protection of your installation.

Picture	Code	Specification
	A	M8×20
	B	Φ2.0×L1200

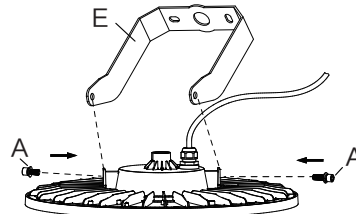
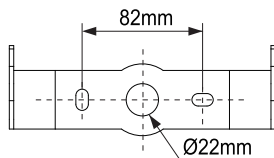


### Hook



Picture	Code	Specification
	C	Rp1/2-14
	D	M6×40

### Bracket (Available as accessory)

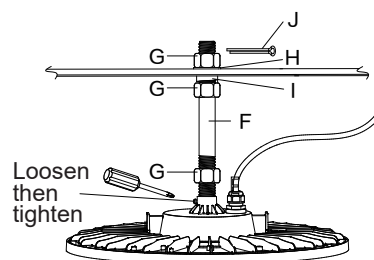
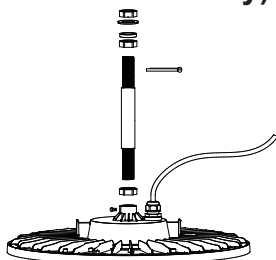


Picture	Code	Specification
	A	M8×20
	E	Bracket

Remark: Not included;  
Please purchase separately.

\*ACCESSORY NOT INCLUDED IN THE PACKAGING

### Pole (Available as accessory)

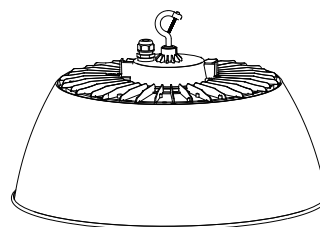
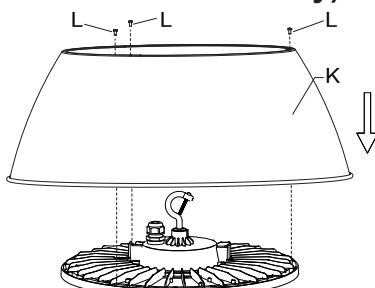


Picture	Code	Specification
	F	Rp1/2-14-L300
	G	Rp1/2-14
	H	M20
	I	M20
	J	Φ3.0×L30

Remark: Not included;  
Please purchase separately.

\*ACCESSORY NOT INCLUDED IN THE PACKAGING

### Reflector (Available as accessory)

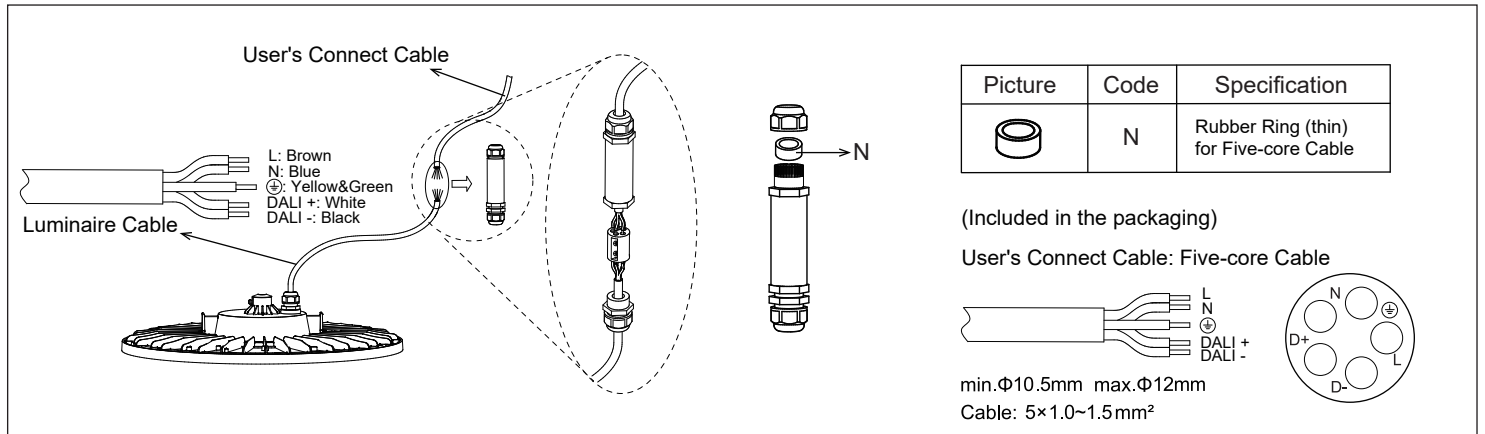


Picture	Code	Specification
	K	Reflector
	L	M3×6

Remark: Not included;  
Please purchase separately.

\*ACCESSORY NOT INCLUDED IN THE PACKAGING

## IP68 Connection (DALI)



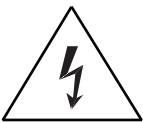
The product support various applications such as factory, mall, warehouse etc. Not for rough service.

Caution : Any operation is forbidden while power is on.

To reduce the risk of strangulation the flexible wiring connected to this luminaire shall be effectively fixed to the wall if the wiring is within arm's reach.



The external flexible cable or cord of this luminaire cannot be replaced; if the cord is damaged, the luminaire shall be destroyed.



For non-user replaceable light sources.  
The light source contained in this luminaire shall only be replaced by the manufacturer or his service agent or a similar qualified person.



For use in environments where normal non-conductive/conductive dust accumulation may be expected, not for use in environments with expected high/unusual dust accumulation.

