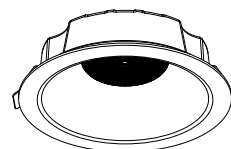


LED Downlight Ecomax HG

OPPLE

Version date 2024-08
www.opple.com

| Item Code | Luminaire Description | CCT | kg |
|--------------|---|-------------|------|
| 540001409600 | LEDDownlightHG-E Rd150-10W-DIM-830/840 | 3000K/4000K | 0.46 |
| 540001409700 | LEDDownlightHG-E Rd200-20W-DIM-830/840 | 3000K/4000K | 0.68 |
| 540001409800 | LEDDownlightHG-E Rd200-30W-DIM-830/840 | 3000K/4000K | 0.81 |
| 540001409900 | LEDDownlightHG-E Rd200-40W-DIM-830/840 | 3000K/4000K | 0.98 |
| 540001410000 | LEDDownlightHG-E Rd150-10W-DALI-830/840 | 3000K/4000K | 0.63 |
| 540001410100 | LEDDownlightHG-E Rd200-20W-DALI-830/840 | 3000K/4000K | 0.83 |
| 540001410200 | LEDDownlightHG-E Rd200-30W-DALI-830/840 | 3000K/4000K | 0.83 |
| 540001410300 | LEDDownlightHG-E Rd200-40W-DALI-830/840 | 3000K/4000K | 0.83 |



| Driver Model | L(mm) | W(mm) | h(mm) |
|----------------------|-------|-------|-------|
| OP-IESCH0120250C1 | 116 | 43 | 28 |
| OP-IESCH0200400C1 | 116 | 43 | 28 |
| OP-IESCH0300750C1 | 150 | 45 | 30 |
| OP-IESCH0400850C1 | 150 | 45 | 30 |
| OP-IDSCH0401050D2-01 | 180 | 51 | 31 |

| Model Name | A (mm) | B (mm) | C (mm) | D (mm) | H (mm) | Cut out φ (mm) |
|------------|--------|--------|--------|--------|--------|----------------|
| Rd125 | 123 | 705 | 325 | 138 | 48 | 125 |
| Rd200 | 123 | 705 | 325 | 226 | 62 | 200 |

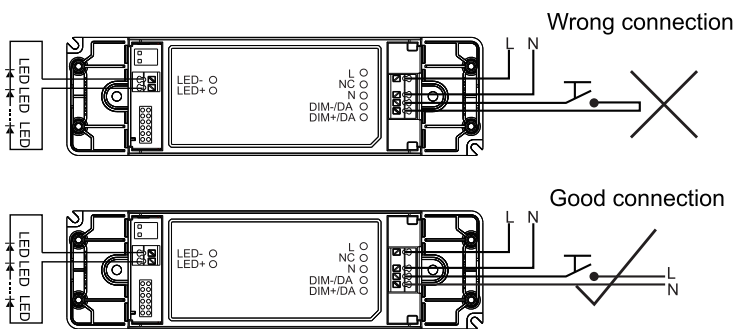
Light Source

| Product Code | Product Description | N | Light Source Code | QR Code | Energy Label |
|--------------|---|---|-------------------|---------|--------------|
| 540001409600 | LEDDownlightHG-E Rd150-10W-DIM-830/840 | 1 | LS125000932 | | |
| 540001410000 | LEDDownlightHG-E Rd150-10W-DALI-830/840 | 1 | | | |
| 540001409700 | LEDDownlightHG-E Rd200-20W-DIM-830/840 | 1 | LS125001832 | | |
| 540001410100 | LEDDownlightHG-E Rd200-20W-DALI-830/840 | 1 | | | |
| 540001409800 | LEDDownlightHG-E Rd200-30W-DIM-830/840 | 1 | LS125002732 | | |
| 540001410200 | LEDDownlightHG-E Rd200-30W-DALI-830/840 | 1 | | | |
| 540001409900 | LEDDownlightHG-E Rd200-40W-DIM-830/840 | 1 | LS125003632 | | |
| 540001410300 | LEDDownlightHG-E Rd200-40W-DALI-830/840 | 1 | | | |

*Note: This product contains a light source of energy efficiency class (C).

| Product Code | Product Description | Product Model | Downlight Model | Driver Model |
|--------------|---|------------------------------|----------------------------|----------------------|
| 540001409600 | LEDDownlightHG-E Rd150-10W-DIM-830/840 | LED DL-RC-E-HG R150-10W-DIM | LED DL-RC-E-HG R150-10W-DL | OP-IESCH0120250C1 |
| 540001409700 | LEDDownlightHG-E Rd200-20W-DIM-830/840 | LED DL-RC-E-HG R200-20W-DIM | LED DL-RC-E-HG R200-20W-DL | OP-IESCH0200400C1 |
| 540001409800 | LEDDownlightHG-E Rd200-30W-DIM-830/840 | LED DL-RC-E-HG R200-30W-DIM | LED DL-RC-E-HG R200-30W-DL | OP-IESCH0300750C1 |
| 540001409900 | LEDDownlightHG-E Rd200-40W-DIM-830/840 | LED DL-RC-E-HG R200-40W-DIM | LED DL-RC-E-HG R200-40W-DL | OP-IESCH0400850C1 |
| 540001410000 | LEDDownlightHG-E Rd150-10W-DALI-830/840 | LED DL-RC-E-HG R150-10W-DALI | LED DL-RC-E-HG R150-10W-DL | OP-IDSCH0401050D2-01 |
| 540001410100 | LEDDownlightHG-E Rd200-20W-DALI-830/840 | LED DL-RC-E-HG R200-20W-DALI | LED DL-RC-E-HG R200-20W-DL | OP-IDSCH0401050D2-01 |
| 540001410200 | LEDDownlightHG-E Rd200-30W-DALI-830/840 | LED DL-RC-E-HG R200-30W-DALI | LED DL-RC-E-HG R200-30W-DL | OP-IDSCH0401050D2-01 |
| 540001410300 | LEDDownlightHG-E Rd200-40W-DALI-830/840 | LED DL-RC-E-HG R200-40W-DALI | LED DL-RC-E-HG R200-40W-DL | OP-IDSCH0401050D2-01 |

TOUCH DIM FUNCTIONALITY (For DALI2 System)

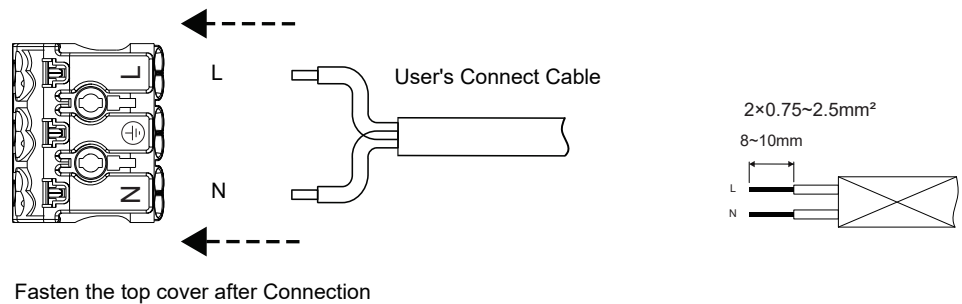


| Function | Contact Duration | Reaction |
|-----------------|------------------|------------------------|
| Ignore | <50ms | Nothing |
| Short Push | 50-500ms | Turn on or off |
| Long Push | >500ms | Dimming up or down |
| Synchronisation | 10s | Go to SYNC level, 50% |
| | 20s | Go to SYNC level, 100% |

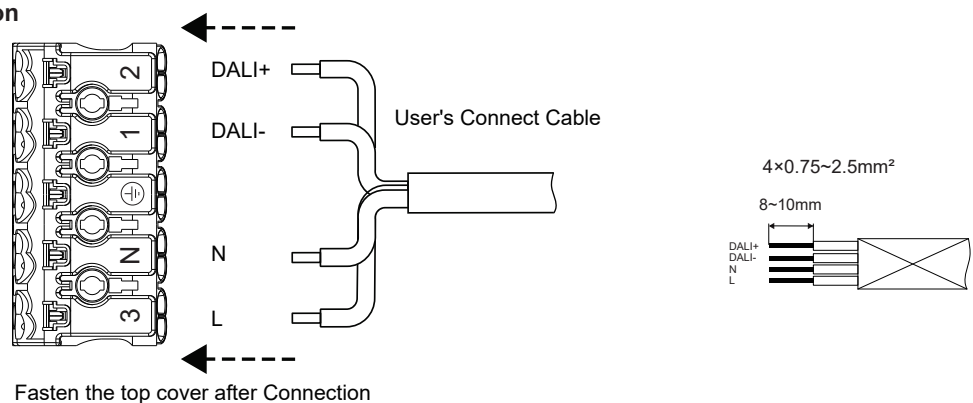
Touch Dim Terminal Consumption: Typical 3mA(220V).

Warning: TD function and DALI function can't be used at the same time, avoid damaging the DALI system by high voltage.

Wiring connection for DIM version

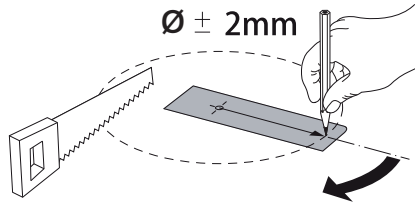


Wiring connection for DALI version

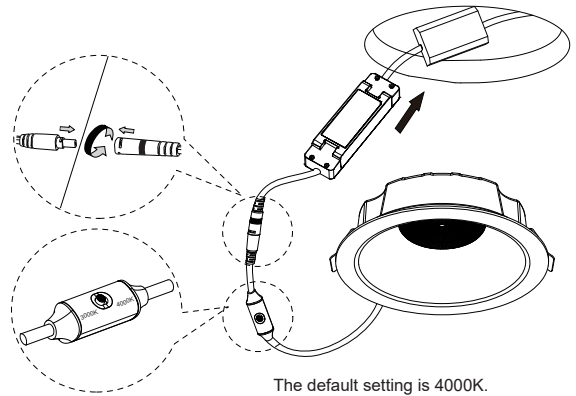


Installation

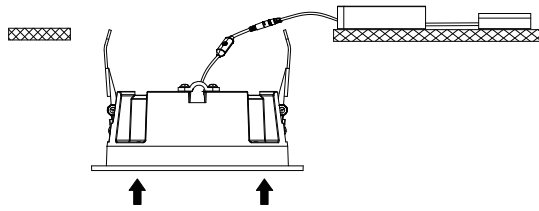
①



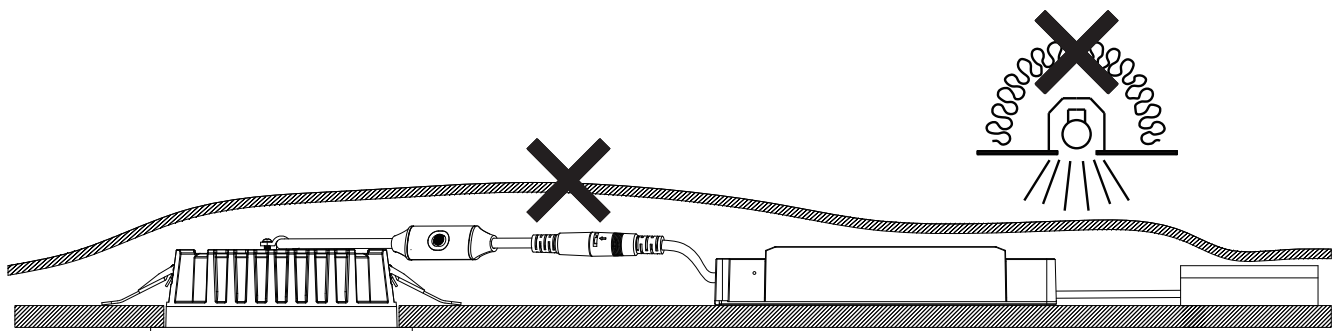
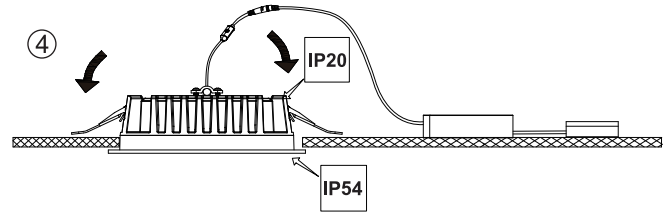
②



③



④



Caution

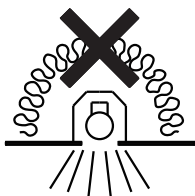
For indoor use only.

Caution : Any operation is forbidden while power is on.



For non-user replaceable light sources.

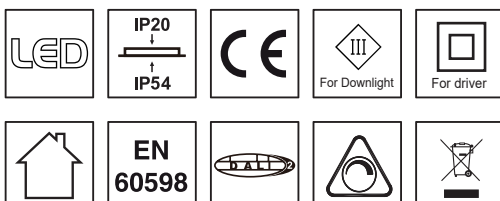
The light source contained in this luminaire shall only be replaced by the manufacturer or his service agent or a similar qualified person.



For type Y attachments:

if the external flexible cable or cord of this luminaire is damaged, it shall be exclusively replaced by the manufacturer or his service agent or a similar qualified person in order to avoid a hazard.

Luminaires not suitable for covering with thermally insulating material.



Opplé Lighting B.V.
Meerenakkerweg 1-07
5652 AR Eindhoven
The Netherlands
service@opple.com

OPPLE Lighting Co., Ltd.
Room 411, Building 1 No. 6111,
Longdong Avenue, Pudong New District,
Shanghai City 201201, P. R. China
www.opple.com

Data subject to change / Les données sont sujettes
à modifications / Änderungen vorbehalten