



## Floodlight Olympus G2

- Powerful professional floodlighting solution for Sports and Area lighting
- All-in-one LED driver with flexible mounting methods and 220-400VAC power input
- Standard compatible with DALI2 / 1-10V / DMX dimming
- Robust design: full IP66 and IK08 protection, including safety cable
- Equipped with breather to prevent condensation



## Specifications

| Item Code                   | Item Description                    | Equivalent to (W) | Power (W) | Lumen Efficacy (lm/W) | CCT (K) | Beam angle | Net Weight (kg/pc) |
|-----------------------------|-------------------------------------|-------------------|-----------|-----------------------|---------|------------|--------------------|
| <b>Driver possibilities</b> |                                     |                   |           |                       |         |            |                    |
| 720001011100                | FloodOly-P2 Driver-1200W-DA/10V/DMX |                   | 1200      |                       |         |            | 5.8                |

## Packaging information

| Item         |                                     |            | Box                     |                      |               |        |
|--------------|-------------------------------------|------------|-------------------------|----------------------|---------------|--------|
| Item Code    | Item Description                    | EU HS Code | Dimensions (mm) (LxWxH) | Gross Weight (kg/pc) | EAN           | pc/box |
| 720001011100 | FloodOly-P2 Driver-1200W-DA/10V/DMX | 85369010   | 515x230x210             | 6.80                 | 6941491786308 | 1      |

### Technical Specifications

|                         |                     |
|-------------------------|---------------------|
| Dimmability             | DALI2 / 1-10V / DMX |
| Ingress Protection (IP) | IP66                |
| Impact strength (IK)    | IK08                |
| Protection class        | I                   |
| With control gear       | True                |
| Power factor            | ≥ 0.95              |

### Electrical Supply

|                 |             |
|-----------------|-------------|
| Nominal voltage | 200 - 528 V |
|-----------------|-------------|

### Mechanical Properties

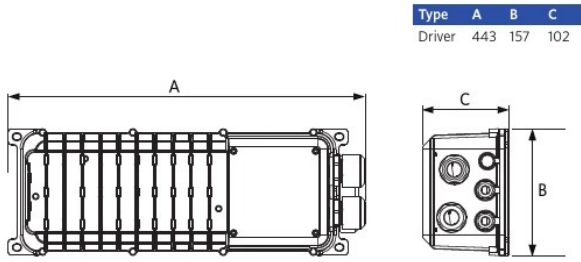
|                  |           |
|------------------|-----------|
| Housing material | Aluminium |
|------------------|-----------|

### Ambient Conditions

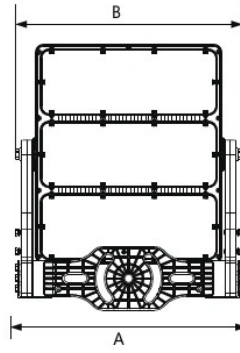
|                         |       |
|-------------------------|-------|
| Application temperature | 25 °C |
|-------------------------|-------|



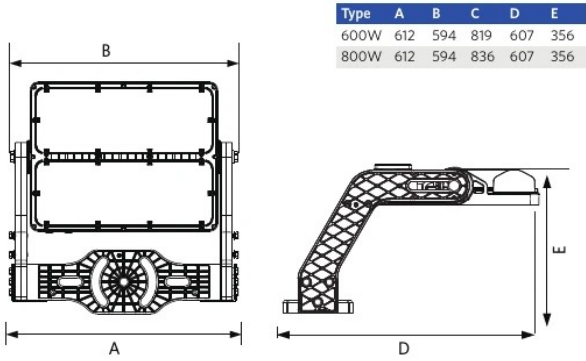
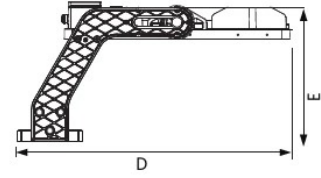
# Dimensional Drawing (mm)



| Type   | A   | B   | C   |
|--------|-----|-----|-----|
| Driver | 443 | 157 | 102 |



| Type  | A   | B   | C   | D   | E   |
|-------|-----|-----|-----|-----|-----|
| 1000W | 612 | 594 | 931 | 701 | 356 |
| 1200W | 612 | 594 | 931 | 701 | 356 |



| Type | A   | B   | C   | D   | E   |
|------|-----|-----|-----|-----|-----|
| 600W | 612 | 594 | 819 | 607 | 356 |
| 800W | 612 | 594 | 836 | 607 | 356 |