



Floodlight Olympus G2

- Powerful professional floodlighting solution for Sports and Area lighting
- All-in-one LED driver with flexible mounting methods and 220-400VAC power input
- Standard compatible with DALI2 / 1-10V / DMX dimming
- Robust design: full IP66 and IK08 protection, including safety cable
- Equipped with breather to prevent condensation



Specifications

| Item Code | Item Description | Equivalent to (W) | Power (W) | Lumen | Efficacy (lm/W) | CCT (K) | Beam angle | Net Weight (pc/kg) |
|-------------------------------------|-------------------------------------|-------------------|-----------|-------|-----------------|---------|------------|--------------------|
| Luminaire (excluding driver) | | | | | | | | |
| 720001012000 | LEDfloodOly-P2 Re600-600W-730-N-LUM | HID 1000W | 600 | 90000 | 150 | 3000 | 45° | 15.23 |

Accessories



709098001600
FloodOly-P Mounting-Kit-Out-Pole



709098001800
FloodOly-P Aiming-Device



709098003200
FloodOly-P Visor-Fixed-AS-Side-1Mod



709098003300
FloodOly-P Visor-Fixed-XN/N/W-1Mod

Packaging information

| Item | | | Box | | | |
|--------------|-------------------------------------|------------|-------------------------|----------------------|---------------|--------|
| Item Code | Item Description | EU HS Code | Dimensions (mm) (LxWxH) | Gross Weight (pc/kg) | EAN | pc/box |
| 720001012000 | LEDfloodOly-P2 Re600-600W-730-N-LUM | 94051190 | 805x630x295 | 18.62 | 6941491785684 | 1 |
| 709098001600 | FloodOly-P Mounting-Kit-Out-Pole | 94059900 | 420x240x290 | 5.50 | 6931783016480 | 1 |
| 709098001800 | FloodOly-P Aiming-Device | 94051190 | 390x355x305 | 10.70 | 6931783016497 | 1 |
| 709098003200 | FloodOly-P Visor-Fixed-AS-Side-1Mod | 94059900 | 490x185x100 | 0.29 | 6931783026335 | 1 |
| 709098003300 | FloodOly-P Visor-Fixed-XN/N/W-1Mod | 94059900 | 490x145x110 | 0.35 | 6931783026342 | 1 |
| 720001010000 | FloodOly-P2 Driver-600W-DA/10V/DMX | 85369010 | 515x230x210 | 6.80 | 6941491785677 | 1 |

| Technical Specifications | |
|------------------------------------|---------------------|
| Lifetime (L70) | 100,000 h |
| Lifetime (L80) | 70,000 h |
| On-/Off-cycles | 100,000 |
| Colour consistency (SDCM) | 6 |
| Dimmability | DALI2 / 1-10V / DMX |
| Finishing | Matte Black |
| Colour rendering index (CRI) | > 70 |
| Ingress Protection (IP) | IP66 |
| Impact strength (IK) | IK08 |
| Protection class | I |
| Risk group (EN 62471) | RG1 |
| With control gear | False |
| Glow wire test | 850 °C |
| Driver failure rate (at 5,000 hrs) | ≤ 0.003 % |
| Power factor | ≥ 0.95 |
| Surge protection (kV) | 20 kV |

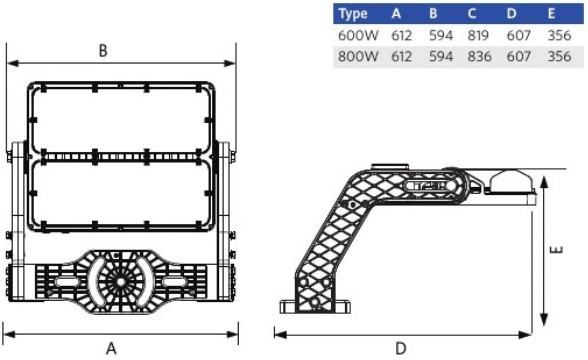
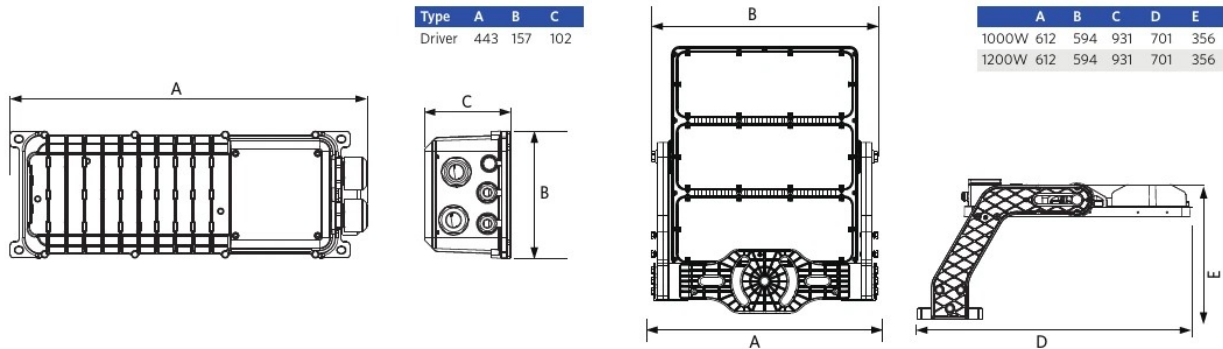
| Electrical Supply | |
|-------------------|--|
| Frequency | 50 - 60 Hz |
| Nominal voltage | 200 - 528 V |
| DC input voltage | See catalogue appendix Connection Specifications |

| Mechanical Properties | |
|-----------------------|---------------|
| Housing material | Aluminium |
| Optical material | Polycarbonate |
| Cover material | Polycarbonate |
| Coastal proof | Yes |

| Ambient Conditions | |
|-------------------------|-------------|
| Operating temperature | -30 - 45 °C |
| Application temperature | 25 °C |
| Storage environment | -30 - 50 °C |



Dimensional Drawing (mm)



Photometric Data

