



## Floodlight Olympus G2

- Powerful professional floodlighting solution for Sports and Area lighting
- All-in-one LED driver with flexible mounting methods and 220-400VAC power input
- Standard compatible with DALI2 / 1-10V / DMX dimming
- Robust design: full IP66 and IK08 protection, including safety cable
- Equipped with breather to prevent condensation



## Specifications

Item Code	Item Description	Equivalent to (W)	Power (W)	Lumen Efficacy (lm/W)	CCT (K)	Beam angle	Net Weight (kg/pc)
<b>Driver possibilities</b>							
720001009400	FloodOly-P2 Driver-1000W-DA/10V/DMX		1000				5.8

## Packaging information

Item			Box			
Item Code	Item Description	EU HS Code	Dimensions (mm) (LxWxH)	Gross Weight (kg/pc)	EAN	pc/box
720001009400	FloodOly-P2 Driver-1000W-DA/10V/DMX	85369010	515x230x210	6.80	6941491785974	1

### Technical Specifications

Dimmability	DALI2 / 1-10V / DMX
Ingress Protection (IP)	IP66
Impact strength (IK)	IK08
Protection class	I
With control gear	True
Power factor	≥ 0.95

### Electrical Supply

Nominal voltage	200 - 528 V
-----------------	-------------

### Mechanical Properties

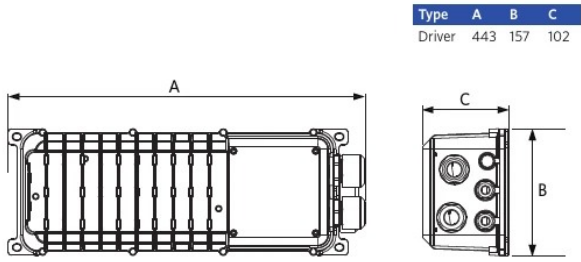
Housing material	Aluminium
------------------	-----------

### Ambient Conditions

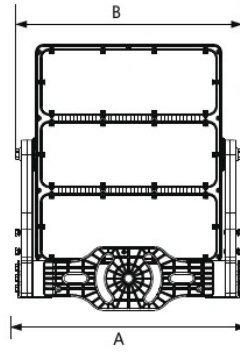
Application temperature	25 °C
-------------------------	-------



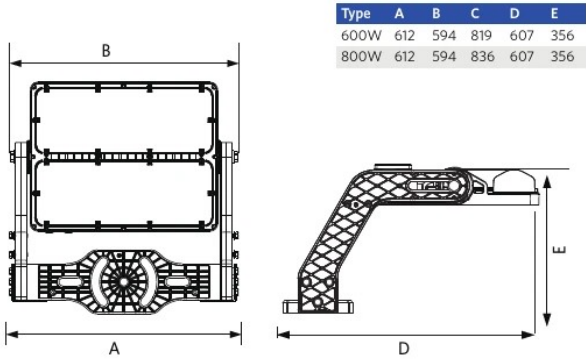
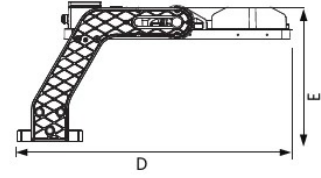
# Dimensional Drawing (mm)



Type	A	B	C
Driver	443	157	102



Type	A	B	C	D	E
1000W	612	594	931	701	356
1200W	612	594	931	701	356



Type	A	B	C	D	E
600W	612	594	819	607	356
800W	612	594	836	607	356