



## Emergency Lighting Spot

- Versions with built-in driver or external driver available
- Standard with 3 hour emergency kit with LiFePO4 battery to achieve long lifetime
- Accessories available for different mounting methods



## Specifications

Item Code	Item Description	Power (W)	Lumen	CCT (K)	RAL-Number	Net Weight (pc/kg)
<b>Emergency kit 3 hour/Auto-Testing</b>						
572005000100	LEDEM-Spot-E Rd55-3W-AT-AS/W-EM3-WH	3	260	6500	9003	0.38

## Accessories



572005000500  
LEDEM-Spot-E Rd80-  
Adapter-Ring-WH



572005000700  
LEDEM-Spot-E Rd140-  
Adapter-Ring-WH

## Packaging information

Item			Box			
Item Code	Item Description	EU HS Code	Dimensions (mm) (LxWxH)	Gross Weight (pc/kg)	EAN	pc/box
572005000100	LEDEM-Spot-E Rd55-3W-AT-AS/W-EM3-WH	94051190	330x87x45	0.40	6941491790114	1
542098030700	Junction-Box-WH	85369010	43x103x36	0.06	6941408868684	1
572005000500	LEDEM-Spot-E Rd80-Adapter-Ring-WH	94059900	8x100x100	0.02	6941491790657	1
572005000700	LEDEM-Spot-E Rd140-Adapter-Ring-WH	94059900	155x155x35	0.08	6941491790633	1

Technical Specifications	
Lifetime (L70)	70,000
Ingress Protection (IP)	IP20
Protection class	II
[Monitoring equipment]	Automatic self test
[Power supply system]	Peripheral (individual battery)
[Battery composition]	Lithium-ion
[Max. battery duration]	3
Power factor	≥ 0.3

Electrical Supply	
Frequency	50 - 60
Nominal voltage	200 - 240 V
[Battery voltage]	6.4

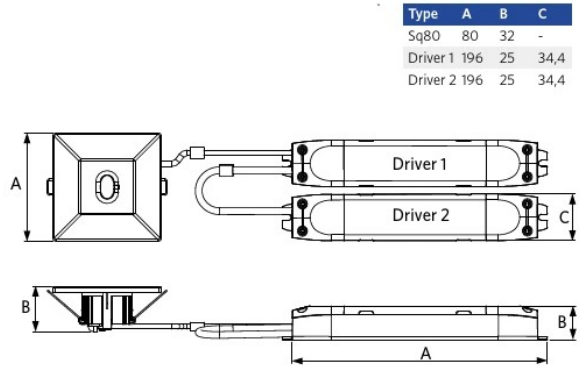
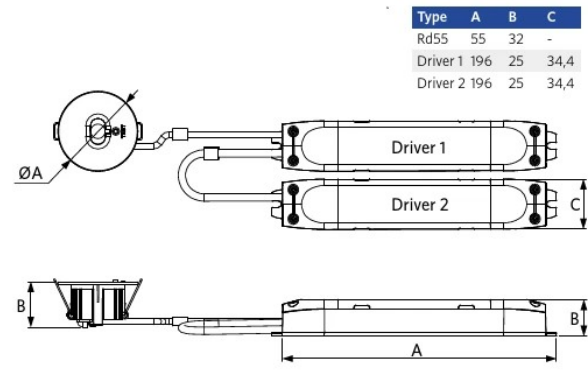
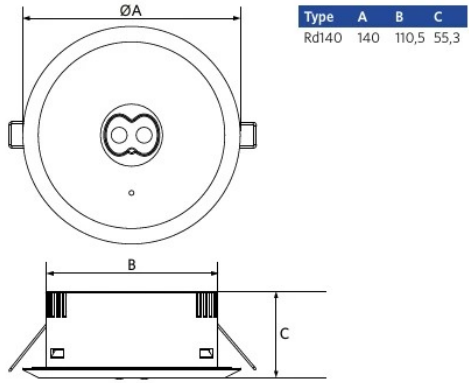
Mechanical Properties	
Housing material	Polycarbonate

Ambient Conditions	
Operating temperature	0 - 45
Application temperature	25
Storage environment	0 - 60



## Dimensional Drawing (mm)



# Photometric Data

