



## Emergency Lighting Spot

- Versions with built-in driver or external driver available
- Standard with 3 hour emergency kit with LiFePO4 battery to achieve long lifetime
- Accessories available for different mounting methods



## Specifications

| Item Code                         | Item Description                      | Power (W) | Lumen | CCT (K) | RAL-Number | Net Weight (pc/kg) |
|-----------------------------------|---------------------------------------|-----------|-------|---------|------------|--------------------|
| <b>Emergency kit 3 hour/DALI2</b> |                                       |           |       |         |            |                    |
| 572005000300                      | LEDEM-Spot-E Rd55-3W-DALI-AS/W-EM3-WH | 3         | 260   | 6500    | 9003       | 0.38               |

## Accessories



572005000500  
LEDEM-Spot-E Rd80-  
Adapter-Ring-WH



572005000700  
LEDEM-Spot-E Rd140-  
Adapter-Ring-WH

## Packaging information

| Item         |                                       |            | Box                     |                      |               |        |
|--------------|---------------------------------------|------------|-------------------------|----------------------|---------------|--------|
| Item Code    | Item Description                      | EU HS Code | Dimensions (mm) (LxWxH) | Gross Weight (pc/kg) | EAN           | pc/box |
| 572005000300 | LEDEM-Spot-E Rd55-3W-DALI-AS/W-EM3-WH | 94051190   | 330x87x45               | 0.40                 | 6941491790138 | 1      |
| 542098030700 | Junction-Box-WH                       | 85369010   | 43x103x36               | 0.06                 | 6941408868684 | 1      |
| 572005000500 | LEDEM-Spot-E Rd80-Adapter-Ring-WH     | 94059900   | 8x100x100               | 0.02                 | 6941491790657 | 1      |
| 572005000700 | LEDEM-Spot-E Rd140-Adapter-Ring-WH    | 94059900   | 155x155x35              | 0.08                 | 6941491790633 | 1      |

| Technical Specifications |  |
|--------------------------|--|
| Lifetime (L70)           | 70,000   |
| Ingress Protection (IP)  | IP20   |
| Protection class         | II   |
| [Monitoring equipment]   | Safety module for monitoring (central feeded system) |
| [Power supply system]    | Peripheral (individual battery)                      |
| [Battery composition]    | Lithium-ion  |
| [Max. battery duration]  | 3  |
| Power factor             | ≥ 0.3  |

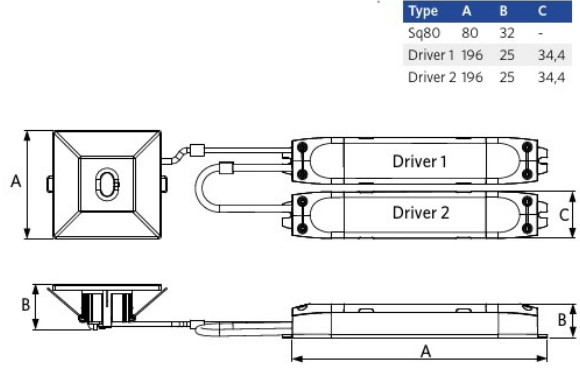
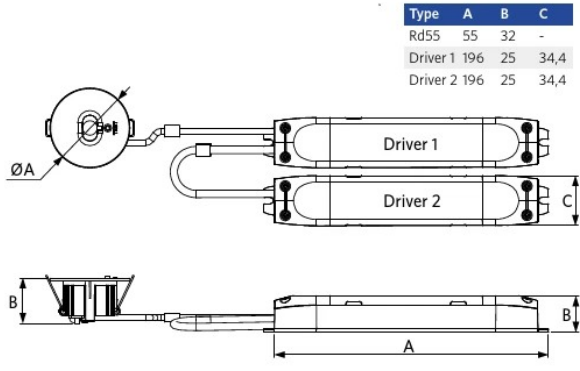
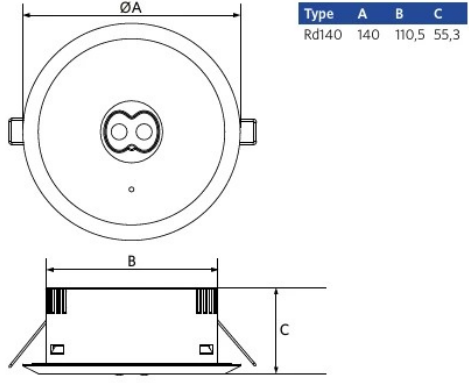
| Electrical Supply |             |
|-------------------|-------------|
| Frequency         | 50 - 60     |
| Nominal voltage   | 200 - 240 V |
| [Battery voltage] | 6.4         |

| Mechanical Properties |               |
|-----------------------|---------------|
| Housing material      | Polycarbonate |

| Ambient Conditions      |        |
|-------------------------|--------|
| Operating temperature   | 0 - 45 |
| Application temperature | 25     |
| Storage environment     | 0 - 60 |



## Dimensional Drawing (mm)



# Photometric Data

