



Emergency Lighting Spot

- Versions with built-in driver or external driver available
- Standard with 3 hour emergency kit with LiFePO4 battery to achieve long lifetime
- Accessories available for different mounting methods



Specifications

Item Code	Item Description	Power (W)	Lumen	CCT (K)	RAL-Number	Net Weight (pc/kg)
Emergency kit 3 hour/Auto-Testing						
572005001100	LEDEM-Spot-E Rd140-3W-AT-AS/W-EM3-WH	3	260	6500	9003	0.4

Accessories



572005001500
LEDEM-Spot-E Front-Cover-WH



572005001700
LEDEM-Spot-E Surface-Module-WH

Packaging information

Item			Box			
Item Code	Item Description	EU HS Code	Dimensions (mm) (LxWxH)	Gross Weight (pc/kg)	EAN	pc/box
572005001100	LEDEM-Spot-E Rd140-3W-AT-AS/W-EM3-WH	94051190	150x145x68	0.42	6941491790176	1
542098030700	Junction-Box-WH	85369010	43x103x36	0.06	6941408868684	1
572005001500	LEDEM-Spot-E Front-Cover-WH	94059900	150x150x6	0.05	6941491790671	1
572005001700	LEDEM-Spot-E Surface-Module-WH	94059900	150x145x68	0.17	6941491790213	1

Technical Specifications	
Lifetime (L70)	70,000
Ingress Protection (IP)	IP20
Protection class	II
[Monitoring equipment]	Automatic self test
[Power supply system]	Peripheral (individual battery)
[Battery composition]	Lithium-ion
[Max. battery duration]	3
Power factor	≥ 0.3

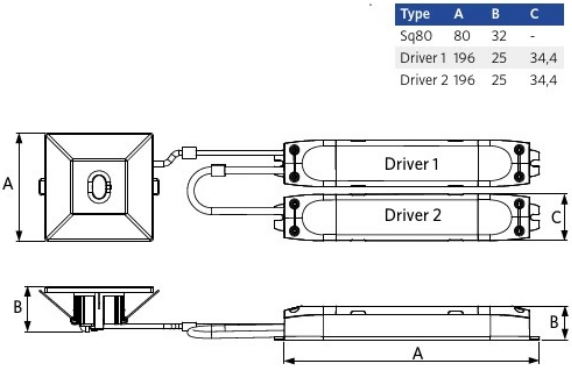
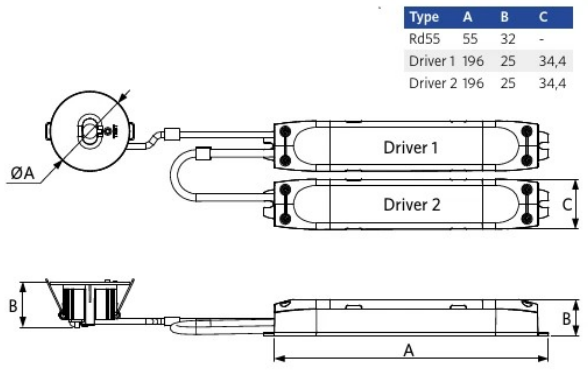
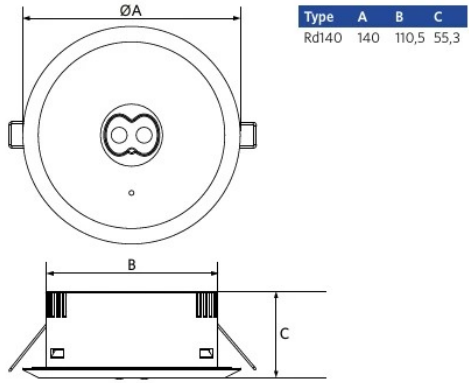
Electrical Supply	
Frequency	50 - 60
Nominal voltage	200 - 240 V
[Battery voltage]	6.4

Mechanical Properties	
Housing material	Polycarbonate

Ambient Conditions	
Operating temperature	0 - 45
Application temperature	25
Storage environment	0 - 60



Dimensional Drawing (mm)



Photometric Data

