



## Emergency Lighting Spot

- Versions with built-in driver or external driver available
- Standard with 3 hour emergency kit with LiFePO4 battery to achieve long lifetime
- Accessories available for different mounting methods



## Specifications

Item Code	Item Description	Power (W)	Lumen	CCT (K)	RAL-Number	Net Weight (pc/kg)
<b>Emergency kit 3 hour/DALI2</b>						
572005001400	LEDEM-Spot-E Rd140-3W-DALI-AS/W-EM3-BL	3	260	6500	9004	0,4

## Accessories



572005001600  
LEDEM-Spot-E Front-Cover-BL



572005001800  
LEDEM-Spot-E Surface-Module-BL

## Packaging information

Item			Box			
Item Code	Item Description	EU HS Code	Dimensions (mm) (LxWxH)	Gross Weight (pc/kg)	EAN	pc/box
572005001400	LEDEM-Spot-E Rd140-3W-DALI-AS/W-EM3-BL	94051190	150x145x68	0.42	6941491790206	1
542098030700	Junction-Box-WH	85369010	43x103x36	0.06	6941408868684	1
572005001600	LEDEM-Spot-E Front-Cover-BL	94059900	150x150x6	0.05	6941491790688	1
572005001800	LEDEM-Spot-E Surface-Module-BL	94059900	150x145x68	0.17	6941491790220	1

Technical Specifications	
Lifetime (L70)	70,000
Ingress Protection (IP)	IP20
Protection class	II
[Monitoring equipment]	Safety module for monitoring (central feeded system)
[Power supply system]	Peripheral (individual battery)
[Battery composition]	Lithium-ion
[Max. battery duration]	3
Power factor	≥ 0.3

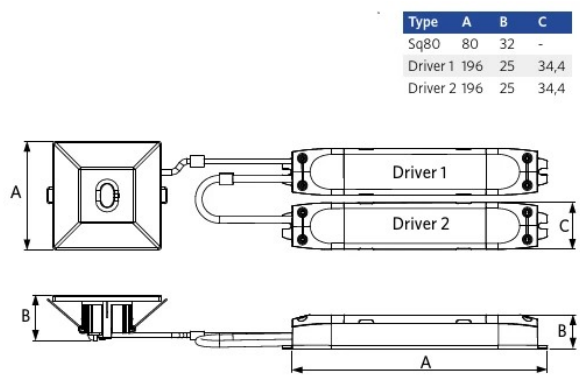
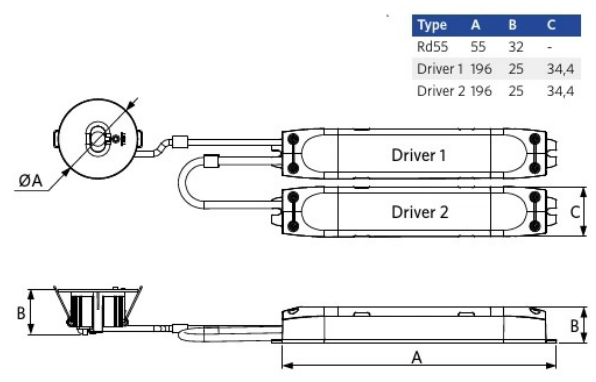
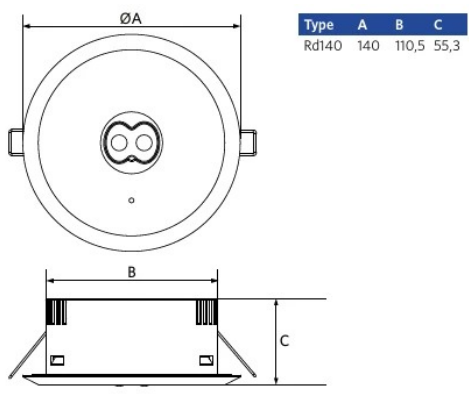
Electrical Supply	
Frequency	50 - 60
Nominal voltage	200 - 240 V
[Battery voltage]	6.4

Mechanical Properties	
Housing material	Polycarbonate

Ambient Conditions	
Operating temperature	0 - 45
Application temperature	25
Storage environment	0 - 60



## Dimensional Drawing (mm)



# Photometric Data

