



Highbay Performer G6

- High quality LED Highbay solution with improved ultra slim design
- Equipped with breather to prevent condensation
- Equipped with IP68 connector
- Perfect for gymnasiums and sports facilities



Specifications

| Item Code | Item Description | Equivalent to (W) | Power (W) | Lumen | Efficacy (lm/W) | CCT (K) | Beam angle | Net Weight (kg/pc) |
|--------------|-------------------------------|-------------------|-----------|-------|-----------------|---------|------------|--------------------|
| DALI2 | | | | | | | | |
| 545001115500 | LEDHighbay-P6 130W-DALI-840-W | HID 400W | 130 | 26000 | 200 | 4000 | 100° | 3.28 |

Accessories



543098022000
LEDFixture-IP68-Connector-Kit-5



545001123300
LEDHighbay-P6 Reflector D390



545098011700
LEDHighbay-P6 Bracket



545098011600
LEDHighbay-P6 Pole

Packaging information

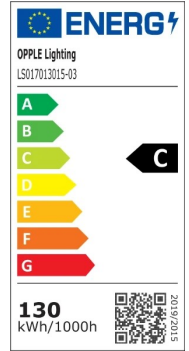
| Item | | | Box | | | |
|--------------|---------------------------------|------------|-------------------------|----------------------|---------------|--------|
| Item Code | Item Description | EU HS Code | Dimensions (mm) (LxWxH) | Gross Weight (kg/pc) | EAN | pc/box |
| 545001115500 | LEDHighbay-P6 130W-DALI-840-W | 94051190 | 426x426x131 | 4.18 | 6941491744667 | 1 |
| 542098001000 | LEDTrunking DALI Power Supply | 85044083 | 198x54x39 | 0.24 | 6945730496614 | 1 |
| 543098022000 | LEDFixture-IP68-Connector-Kit-5 | 39174000 | 265x245x205 | 0.08 | 6941497708984 | 1 |
| 545001123300 | LEDHighbay-P6 Reflector D390 | 94059900 | 563x563x230 | 10.00 | 6941491748887 | 1 |
| 545098011700 | LEDHighbay-P6 Bracket | 94051190 | 363x363x65 | 0.30 | 6941491748931 | 1 |
| 545098011600 | LEDHighbay-P6 Pole | 94059900 | 144x144x47 | 0.11 | 6941491748924 | 1 |

| Technical Specifications | |
|------------------------------------|-------------------|
| Lifetime (L70) | 100,000 h |
| Lifetime (L80) | 70,000 h |
| Lifetime (L90) | 50,000 h |
| On-/Off-cycles | 100,000 |
| Colour consistency (SDCM) | 5 |
| Dimmability | DALI2 |
| Finishing | Grey Pantone 417U |
| Colour rendering index (CRI) | > 80 |
| Efficacy (lm/W) | 200 lm/W |
| Ingress Protection (IP) | IP66 |
| Impact strength (IK) | IK08 |
| Protection class | I |
| Risk group (EN 62471) | RG1 |
| With control gear | True |
| Glow wire test | 850 °C |
| Driver failure rate (at 5,000 hrs) | ≤ 1 % |
| Power factor | ≥ 0.95 |
| Surge protection (kV) | 4 kV |

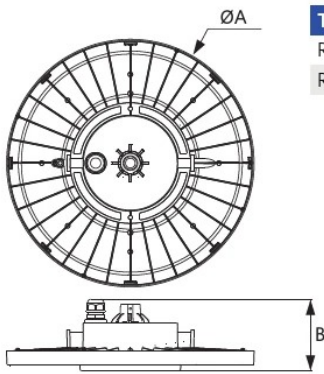
| Electrical Supply | |
|-------------------|---|
| Frequency | 50 - 60 Hz |
| Nominal voltage | 220 - 240 V |
| DC input voltage | See catalogue appendix Connection Specifications |
| 230V Cable length | 1 m |

| Mechanical Properties | |
|-----------------------|---------------|
| Housing material | Aluminium |
| Optical material | Polycarbonate |
| Cover material | Polycarbonate |

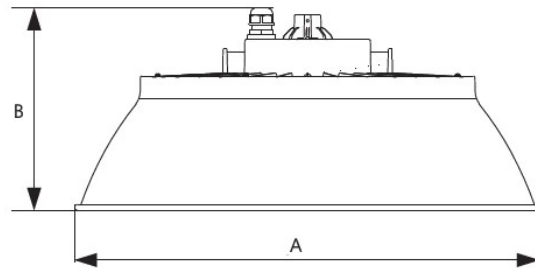
| Ambient Conditions | |
|-------------------------|-------------|
| Operating temperature | -30 - 50 °C |
| Application temperature | 25 °C |
| Storage environment | -30 - 60 °C |



Dimensional Drawing (mm)



| Type | A | B |
|-------|-----|----|
| Rd336 | 336 | 97 |
| Rd390 | 390 | 97 |



| Type | A | B |
|-----------------|-----|-----|
| Reflector Rd336 | 474 | 205 |
| Reflector Rd390 | 550 | 228 |

Photometric Data

