



Panel Vienna

- Design low glare LED panel
- Comfortable lighting for study and work environment (UGR < 16)
- Standard equipped with CCT-switch and CRI90
- Compatible with Slim Panel surface mounting kit accessory










Specifications

Item Code	Item Description	Equivalent to (W)	Power (W)	Lumen	Efficacy (lm/W)	CCT (K)	Net Weight (pc/kg)
Tunable White/Smart							
542003174200	LEDVienna-P Sq595-32W-BLE2-TW-U16	TL 4x18W	32	4000	125	2.7K-6.5K	1.8

Available on request with Wieland GST18 or WAGO WINSTA connector, or Euro/Schuko plug. Emergency lighting available on request. BLE versions in surface mounting frames might lead to limited BLE signal strength.

Accessories

<p>Recessed Mounting Frame</p>  <p>542098009600 LEDPanelRc Sq600-Frame-WH</p>	<p>Surface Mounting Frame</p>  <p>542098017600 LEDPanelRc2 Sq600-Surface-Kit-WH</p>			
 <p>140060852 LEDFixture-Ceiling-Cable-Kit-0.5m</p>	 <p>542003021700 LEDPanelRc-S-B2 Suspension-Kit</p>	 <p>542003021800 LEDPanelRc-S-B2 Mounting-Springs</p>	 <p>542098000800 LEDPanelRC-SI U19 EM-kit 1h</p>	 <p>542098030700 Junction-Box-WH</p>

Packaging information

Item			Box			
Item Code	Item Description	EU HS Code	Dimensions (mm) (LxWxH)	Gross Weight (pc/kg)	EAN	pc/box
542003174200	LEDVienna-P Sq595-32W-BLE2-TW-U16	94051190	617x704x42	2.81	6941491729725	1
140060852	LEDFixture-Ceiling-Cable-Kit-0.5m	73121020	510x100x10	0.40	6956321895266	1
542003021700	LEDPanelRc-S-B2 Suspension-Kit	73121049	315x315x25	0.13	6941408821665	1
542003021800	LEDPanelRc-S-B2 Mounting-Springs	73209090	280x200x170	0.10	6941408821672	1
542098000800	LEDPanelRC-SI U19 EM-kit 1h	85044083	490x390x150	0.98	6941497702340	1
542098000900	LEDPanelRC-SI U19 EM-kit 3h	85044083	490x390x150	1.08	6941497702333	1
542098009600	LEDPanelRc Sq600-Frame-WH	94059900	688x88x694	1.79	6941497704061	1
542098017600	LEDPanelRc2 Sq600-Surface-Kit-WH	94059900	685x77x68	1.53	6941497720696	1
542098030700	Junction-Box-WH	85369010	43x103x36	0.06	6941408868684	1

Technical Specifications

Lifetime (L70)	100,000 h
Lifetime (L80)	70,000 h
On-/Off-cycles	100,000
Colour consistency (SDCM)	4
Dimmability	BLE2
Beam angle	90 °
Finishing	White RAL9003
RAL-Number	9003
Colour rendering index (CRI)	> 90
UGR	16
Ingress Protection (IP)	IP20
Impact strength (IK)	IK03
Protection class	II
Risk group (EN 62471)	RG0
With control gear	True
Glow wire test	650 °C
Driver failure rate (at 5,000 hrs)	≤ 1 %
Power factor	≥ 0.9

Electrical Supply

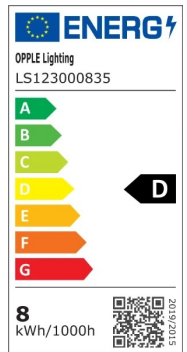
Frequency	50 - 60 Hz
Nominal voltage	220 - 240 V
DC input voltage	See catalogue appendix Connection Specifications

Mechanical Properties

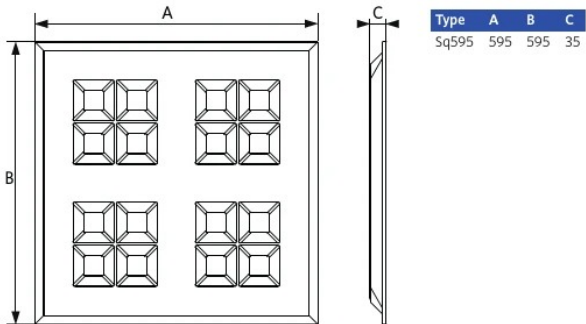
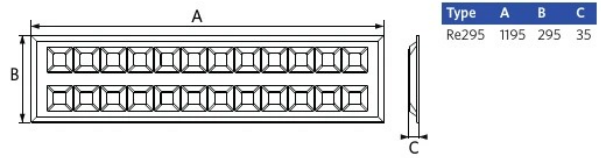
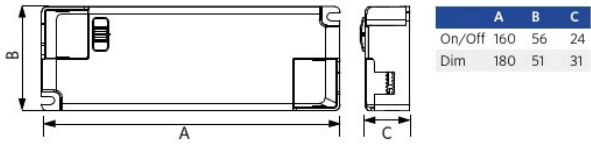
Housing material	Aluminium
Optical material	Polycarbonate

Ambient Conditions

Operating temperature	-10 - 45 °C
Application temperature	25 °C
Storage environment	-25 - 50 °C



Dimensional Drawing (mm)



Photometric Data

