



Panel Vienna

- Design low glare LED panel
- Comfortable lighting for study and work environment (UGR < 16)
- Standard equipped with CCT-switch and CRI90
- Compatible with Slim Panel surface mounting kit accessory










Specifications

| Item Code | Item Description | Equivalent to (W) | Power (W) | Lumen | Efficacy (lm/W) | CCT (K) | Net Weight (pc/kg) |
|----------------------------|-----------------------------------|-------------------|-----------|-------|-----------------|-----------|--------------------|
| Tunable White/DALI2 | | | | | | | |
| 542003174400 | LEDVienna-P Sq595-32W-DALI-TW-U16 | TL 4x18W | 32 | 4000 | 125 | 2.7K-6.5K | 1.8 |

Available on request with Wieland GST18 or WAGO WINSTA connector, or Euro/Schuko plug. Emergency lighting available on request. BLE versions in surface mounting frames might lead to limited BLE signal strength.

Accessories

| | | | | |
|---|---|---|--|---|
| Recessed Mounting Frame | Surface Mounting Frame | | | |
|  |  | | | |
| <p>542098009600 LEDPanelRc Sq600-Frame-WH</p> | <p>542098017600 LEDPanelRc2 Sq600-Surface-Kit-WH</p> | | | |
|  |  |  |  |  |
| <p>140060852 LEDFixture-Ceiling-Cable-Kit-0.5m</p> | <p>542003021700 LEDPanelRc-S-B2 Suspension-Kit</p> | <p>542003021800 LEDPanelRc-S-B2 Mounting-Springs</p> | <p>542098000800 LEDPanelRC-SI U19 EM-kit 1h</p> | <p>542098030700 Junction-Box-WH</p> |

Packaging information

| Item | | | Box | | | |
|--------------|-----------------------------------|------------|-------------------------|----------------------|---------------|--------|
| Item Code | Item Description | EU HS Code | Dimensions (mm) (LxWxH) | Gross Weight (pc/kg) | EAN | pc/box |
| 542003174400 | LEDVienna-P Sq595-32W-DALI-TW-U16 | 94051190 | 617x704x42 | 2.82 | 6941491729749 | 1 |
| 140060852 | LEDFixture-Ceiling-Cable-Kit-0.5m | 73121020 | 510x100x10 | 0.40 | 6956321895266 | 1 |
| 542003021700 | LEDPanelRc-S-B2 Suspension-Kit | 73121049 | 315x315x25 | 0.13 | 6941408821665 | 1 |
| 542003021800 | LEDPanelRc-S-B2 Mounting-Springs | 73209090 | 280x200x170 | 0.10 | 6941408821672 | 1 |
| 542098000800 | LEDPanelRC-SI U19 EM-kit 1h | 85044083 | 490x390x150 | 0.98 | 6941497702340 | 1 |
| 542098000900 | LEDPanelRC-SI U19 EM-kit 3h | 85044083 | 490x390x150 | 1.08 | 6941497702333 | 1 |
| 542098009600 | LEDPanelRc Sq600-Frame-WH | 94059900 | 688x88x694 | 1.79 | 6941497704061 | 1 |
| 542098017600 | LEDPanelRc2 Sq600-Surface-Kit-WH | 94059900 | 685x77x68 | 1.53 | 6941497720696 | 1 |
| 542098030700 | Junction-Box-WH | 85369010 | 43x103x36 | 0.06 | 6941408868684 | 1 |

Technical Specifications

| | |
|------------------------------------|---------------|
| Lifetime (L70) | 100,000 h |
| Lifetime (L80) | 70,000 h |
| On-/Off-cycles | 100,000 |
| Colour consistency (SDCM) | 4 |
| Dimmability | DALI2 |
| Beam angle | 90 ° |
| Finishing | White RAL9003 |
| RAL-Number | 9003 |
| Colour rendering index (CRI) | > 90 |
| UGR | 16 |
| Ingress Protection (IP) | IP20 |
| Impact strength (IK) | IK03 |
| Protection class | II |
| Risk group (EN 62471) | RG0 |
| With control gear | True |
| Glow wire test | 650 °C |
| Driver failure rate (at 5,000 hrs) | ≤ 1 % |
| Power factor | ≥ 0.9 |

Electrical Supply

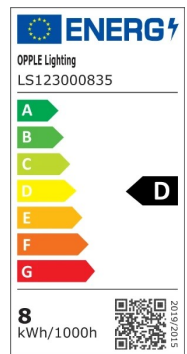
| | |
|------------------|---|
| Frequency | 50 - 60 Hz |
| Nominal voltage | 220 - 240 V |
| DC input voltage | See catalogue appendix Connection Specifications |

Mechanical Properties

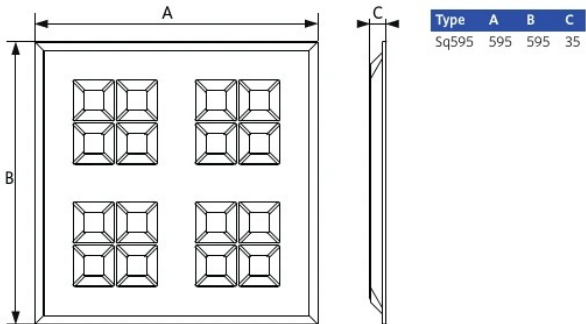
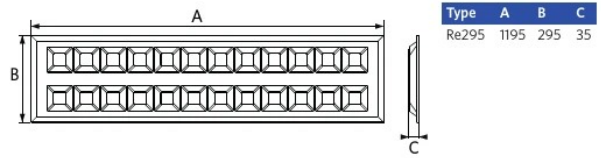
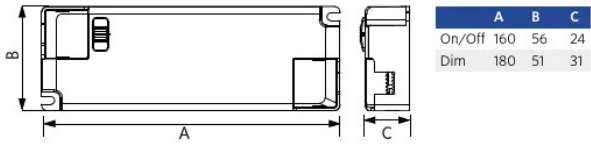
| | |
|------------------|---------------|
| Housing material | Aluminium |
| Optical material | Polycarbonate |

Ambient Conditions

| | |
|-------------------------|-------------|
| Operating temperature | -10 - 45 °C |
| Application temperature | 25 °C |
| Storage environment | -25 - 50 °C |



Dimensional Drawing (mm)



Photometric Data

