



Floodlight Modulo Performer G2

- Powerful professional floodlight family from 70 to 380W
- DALI versions available (200W+), 3000K versions available
- Precise optical design for area, object and facade lighting
- Super slim aluminium body with integrated heatsink
- High efficacy of 140 lm/W
- Easy accessible driver compartment
- Wide (W), Asymmetric (AS) and Narrow (N) beam angles available
- Available in wide range from 9,800 up to 53,200 lumen
- IP66 and suitable for use on coastal applications
- Equipped with breather to prevent condensation



Specifications

Item Code	Item Description	Equivalent to (W)	Power (W)	Lumen	Efficacy (lm/W)	CCT (K)	Beam angle	Net Weight (kg/pc)
On-Off								
720001006300	LEDfloodMo-P2 Re340-70W-830-AS	HID 150W	70	9100	130	3000	40° x 100°	4.4
720001004100	LEDfloodMo-P2 Re340-70W-840-AS	HID 150W	70	9800	140	4000	40° x 100°	4.4
720001006600	LEDfloodMo-P2 Re340-70W-840-N	HID 150W	70	9800	140	4000	45°	4.4
720001006000	LEDfloodMo-P2 Re340-70W-840-W	HID 150W	70	9800	140	4000	80°	4.4
720001006700	LEDfloodMo-P2 Re340-100W-830-AS	HID 250W	100	13000	130	3000	40° x 100°	4.4
720001003300	LEDfloodMo-P2 Re340-100W-840-AS	HID 250W	100	14000	140	4000	40° x 100°	4.4
720001008000	LEDfloodMo-P2 Re340-100W-840-N	HID 250W	100	14000	140	4000	45°	4.4
720001007000	LEDfloodMo-P2 Re340-100W-840-W	HID 250W	100	14000	140	4000	80°	4.4
720001003500	LEDfloodMo-P2 Re450-150W-830-AS	HID 400W	150	19500	130	3000	40° x 100°	5.7
720001006500	LEDfloodMo-P2 Re450-150W-840-AS	HID 400W	150	21000	140	4000	40° x 100°	5.7
720001004000	LEDfloodMo-P2 Re450-150W-840-N	HID 400W	150	21000	140	4000	45°	5.7
720001003400	LEDfloodMo-P2 Re450-150W-840-W	HID 400W	150	21000	140	4000	80°	5.7
720001004400	LEDfloodMo-P2 Re450-200W-830-DALI-AS	HID 400W	200	26000	130	3000	40° x 100°	5.7
720001006400	LEDfloodMo-P2 Re450-200W-830-DALI-N	HID 400W	200	26000	130	3000	45°	5.7
720001008200	LEDfloodMo-P2 Re450-200W-840-DALI-AS	HID 400W	200	28000	140	4000	40° x 100°	5.7
720001005400	LEDfloodMo-P2 Re450-200W-840-DALI-N	HID 400W	200	28000	140	4000	45°	5.7
720001007700	LEDfloodMo-P2 Re450-200W-840-DALI-W	HID 400W	200	28000	140	4000	80°	5.7
720001002600	LEDfloodMo-P2 Re450-200W-857-DALI-AS	HID 400W	200	28000	140	5700	40° x 100°	5.7
720001003000	LEDfloodMo-P2 Re450-200W-857-DALI-N	HID 400W	200	28000	140	5700	45°	5.7
720001005900	LEDfloodMo-P2 Re450-200W-857-DALI-W	HID 400W	200	28000	140	5700	80°	5.7
720001006800	LEDfloodMo-P2 Re570-250W-830-DALI-AS	HID 2x250W	250	32500	130	3000	40° x 100°	7.67
720001006900	LEDfloodMo-P2 Re570-250W-830-DALI-N	HID 2x250W	250	32500	130	3000	45°	7.67
720001004200	LEDfloodMo-P2 Re570-250W-840-DALI-AS	HID 2x250W	250	35000	140	4000	40° x 100°	7.67
720001004800	LEDfloodMo-P2 Re570-250W-840-DALI-N	HID 2x250W	250	35000	140	4000	45°	7.67

Item Code	Item Description	Equivalent to (W)	Power (W)	Lumen	Efficacy (lm/W)	CCT (K)	Beam angle	Net Weight (kg/pc)
720001002700	LEDfloodMo-P2 Re570-250W-857-DALI-AS	HID 2x250W	250	35000	140	5700	40° x 100°	7.67
720001007900	LEDfloodMo-P2 Re570-250W-857-DALI-N	HID 2x250W	250	35000	140	5700	45°	7.67
720001004900	LEDfloodMo-P2 Re570-300W-830-DALI-AS	HID 2x400W	300	39000	130	3000	40° x 100°	7.67
720001007400	LEDfloodMo-P2 Re570-300W-830-DALI-N	HID 2x400W	300	39000	130	3000	45°	7.67
720001004700	LEDfloodMo-P2 Re570-300W-840-DALI-AS	HID 2x400W	300	42000	140	4000	40° x 100°	7.67
720001007100	LEDfloodMo-P2 Re570-300W-840-DALI-N	HID 2x400W	300	42000	140	4000	45°	7.67
720001003800	LEDfloodMo-P2 Re570-300W-857-DALI-AS	HID 2x400W	300	42000	140	5700	40° x 100°	7.67
720001003200	LEDfloodMo-P2 Re570-300W-857-DALI-N	HID 2x400W	300	42000	140	5700	45°	7.67
720001002200	LEDfloodMo-P2 Re570-380W-830-DALI-AS	HID 500W	380	49400	130	3000	40° x 100°	7.67
720001003700	LEDfloodMo-P2 Re570-380W-830-DALI-N	HID 500W	380	49400	130	3000	45°	7.67
720001004300	LEDfloodMo-P2 Re570-380W-840-DALI-AS	HID 500W	380	53200	140	4000	40° x 100°	7.67
720001003900	LEDfloodMo-P2 Re570-380W-840-DALI-N	HID 500W	380	53200	140	4000	45°	7.67
720001005600	LEDfloodMo-P2 Re570-380W-857-DALI-AS	HID 500W	380	53200	140	5700	40° x 100°	7.67
720001007500	LEDfloodMo-P2 Re570-380W-857-DALI-N	HID 500W	380	53200	140	5700	45°	7.67

Accessories



543098022000
LEDFixture-IP68-Connector-Kit-5



705000141900
LEDStreet-SE-Extension-Cable-6m

543098021900
LEDFixture-IP68-Connector-Kit-3

Technical Specifications

Lifetime (L70)	100,000 h
Lifetime (L80)	70,000 h
Lifetime (L90)	50,000 h
On-/Off-cycles	100,000
Colour consistency (SDCM)	4
Dimmability	On-Off / DALI2
Finishing	Grey RAL 870-3
Colour rendering index (CRI)	> 80
Ingress Protection (IP)	IP66
Impact strength (IK)	IK08
Protection class	I
Risk group (EN 62471)	RG1
With control gear	Yes
Glow wire test	850°C
Driver failure rate (at 5,000 hrs)	< 0.003%
Power factor	> 0.95
Surge protection (kV)	6kV

Electrical Supply

Frequency	50 - 60 Hz
Nominal voltage	220 - 240 V
DC input voltage	See catalogue appendix Connection Specifications
230V Cable length	1 m

Mechanical Properties

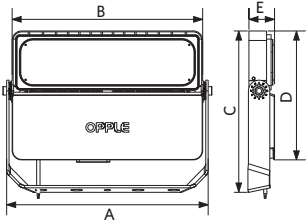
Housing material	Aluminium
Optical material	Polycarbonate
Cover material	Polycarbonate
Coastal proof	Yes

Ambient Conditions

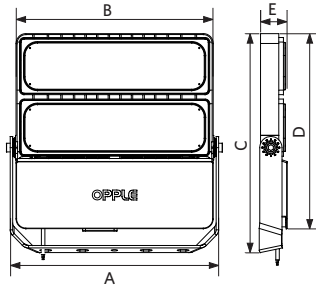
Operating temperature	-40 - 50°C
Application temperature	25°C
Storage environment	-40 - 60°C



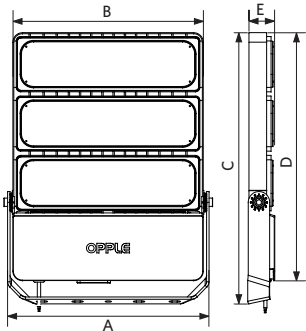
Dimensional Drawing (mm)



Type	A	B	C	D	E
Re340	423	400	339	271	54



A	B	C	D	E	
Re450	423	400	445	396	54



A	B	C	D	E	
Re570	423	400	570	521	54