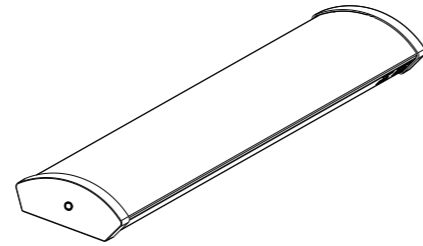
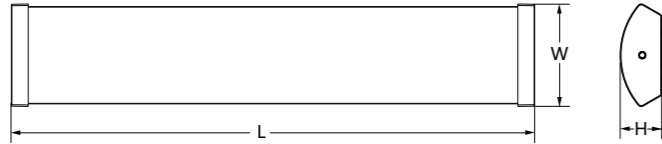


Item Code	Description	CCT	kg
531000025900	LEDLinear-E2 L06-10/18W-830/840-MD	3000K/4000K	1.50kg
531000026000	LEDLinear-E2 L12-22/36W-830/840-MD	3000K/4000K	2.74kg
531000026100	LEDLinear-E2 L15-30/50W-830/840-MD	3000K/4000K	3.38kg
531000026200	LEDLinear-E2 L06-18W-DALI-830/840	3000K/4000K	1.50kg
531000026300	LEDLinear-E2 L12-36W-DALI-830/840	3000K/4000K	2.74kg
531000026400	LEDLinear-E2 L15-50W-DALI-830/840	3000K/4000K	3.38kg
531000026500	LEDLinear-E2 L06-18W-BLE2-830/840	3000K/4000K	1.50kg
531000026600	LEDLinear-E2 L12-36W-BLE2-830/840	3000K/4000K	2.74kg
531000026700	LEDLinear-E2 L15-50W-BLE2-830/840	3000K/4000K	3.38kg



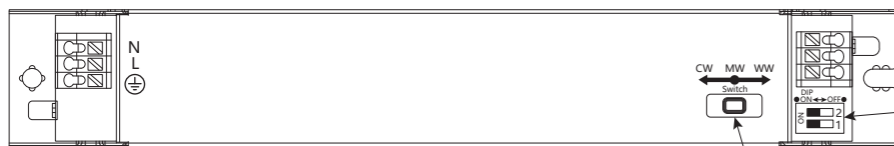
Model	L (mm)	W (mm)	H (mm)
LEDLinear-E2 L06 10/18W-MD	600	182	74
LEDLinear-E2 L12 22/36W-MD	1200	182	74
LEDLinear-E2 L15 30/50W-MD	1500	182	74
LEDLinear-E2 L06-18W-DALI	600	182	74
LEDLinear-E2 L12-36W-DALI	1200	182	74
LEDLinear-E2 L15-50W-DALI	1500	182	74
LEDLinear-E2 L06-18W-BLE2	600	182	74
LEDLinear-E2 L12-36W-BLE2	1200	182	74
LEDLinear-E2 L15-50W-BLE2	1500	182	74



Light Source

Item Code	Description	N	Light source code	QR Code	Energy Label
531000025900	LEDLinear-E2 L06-10/18W-830/840-MD	1	LS105001832		
531000026200	LEDLinear-E2 L06-18W-DALI-830/840	1			
531000026500	LEDLinear-E2 L06-18W-BLE2-830/840	1			
531000026000	LEDLinear-E2 L12-22/36W-830/840-MD	1	LS105003632		
531000026300	LEDLinear-E2 L12-36W-DALI-830/840	1			
531000026600	LEDLinear-E2 L12-36W-BLE2-830/840	1			
531000026100	LEDLinear-E2 L15-30/50W-830/840-MD	1	LS105005032		
531000026400	LEDLinear-E2 L15-50W-DALI-830/840	1			
531000026700	LEDLinear-E2 L15-50W-BLE2-830/840	1			

For Microwave sensor



Model
LEDLinear-E2 L06 10/18W-MD
LEDLinear-E2 L12 22/36W-MD
LEDLinear-E2 L15 30/50W-MD

CCT	Toggle Switch
3000K	WW
4000K	CW

Power	Toggle Switch	
	1	2
10W	OFF	OFF
18W	ON	ON
22W	OFF	OFF
36W	ON	ON
30W	OFF	OFF
50W	ON	ON

Daylight & Microwave Sensor:

Sensor Setting:

Detection Area				
	1	2	3	
I	ON	ON	ON	100%
II	-	ON	ON	75%
III	ON	-	ON	50%
IV	-	-	ON	25%
V	-	-	-	10%

Hold Time				
	4	5	6	
I	ON	ON	ON	5S
II	-	ON	ON	30S
III	ON	-	ON	90S
IV	-	-	ON	3min
V	ON	ON	-	20min
VI	-	-	-	30min

Daylight Sensor				
	7	8	9	
I	ON	ON	ON	2Lux
II	ON	ON	-	10Lux
III	-	ON	-	25Lux
IV	ON	-	-	50Lux
V	-	-	-	Disable*

Detection Area:

Detection area can be reduced by selecting the combination on the DIP switches to fit precisely each application.

Notice 1: The test is based on a height of 3m, the radius is the ground detect distance, which can be selected through the slide switch.

Notice 2: The detect range is measured by human body whose stature is around 1.6-1.7M with medium size and traveling speed is around 1.0-1.5M per second. If the stature, bodily form and traveling speed are changed, then the detect range will be changed accordingly.

Notice 3: Test result will be highly influenced by test environment, the more open environment, the closer detect distance; the narrower environment, the longer detect distance. The detector may do self-excitation in a narrow environment.

Hold Time:

Refers to the time period the lamp remains at 100% illumination after no motion detected.

Notice 1: The hold time can be selected by the slide switch.

Notice 2: The hold time counting should be started after the sensor is powered on and initialized.

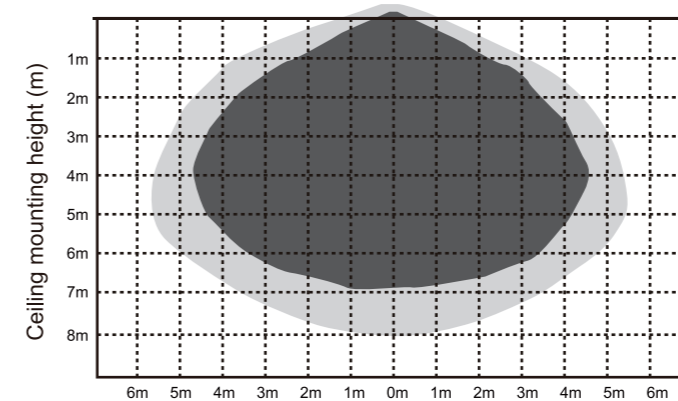
Daylight Sensor:

The sensor can be set to only allow the lamp to illuminate below a defined ambient brightness threshold. When set to Disable mode, the daylight sensor will switch on the lamp when motion is detected regardless of ambient light level.

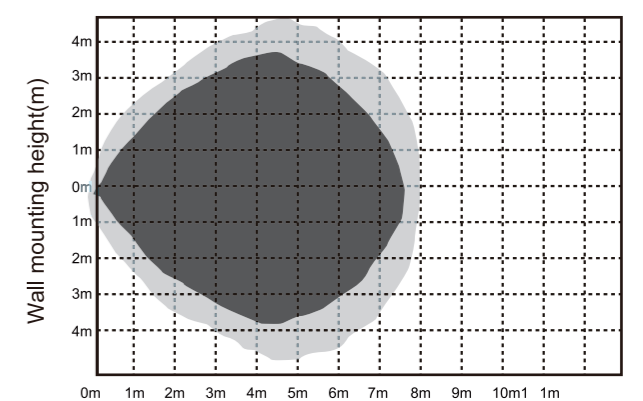
Notice: The light threshold can be selected through the slide switch, it may cause a large deviation in different lamps.

Induction Range

Ceiling Mounting pattern(Unit: m)

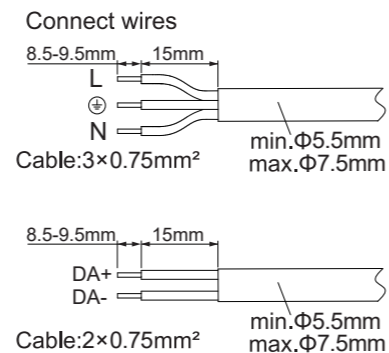
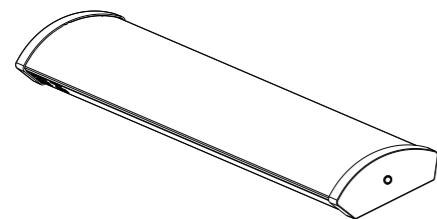


Wall Mounting pattern(Unit: m)



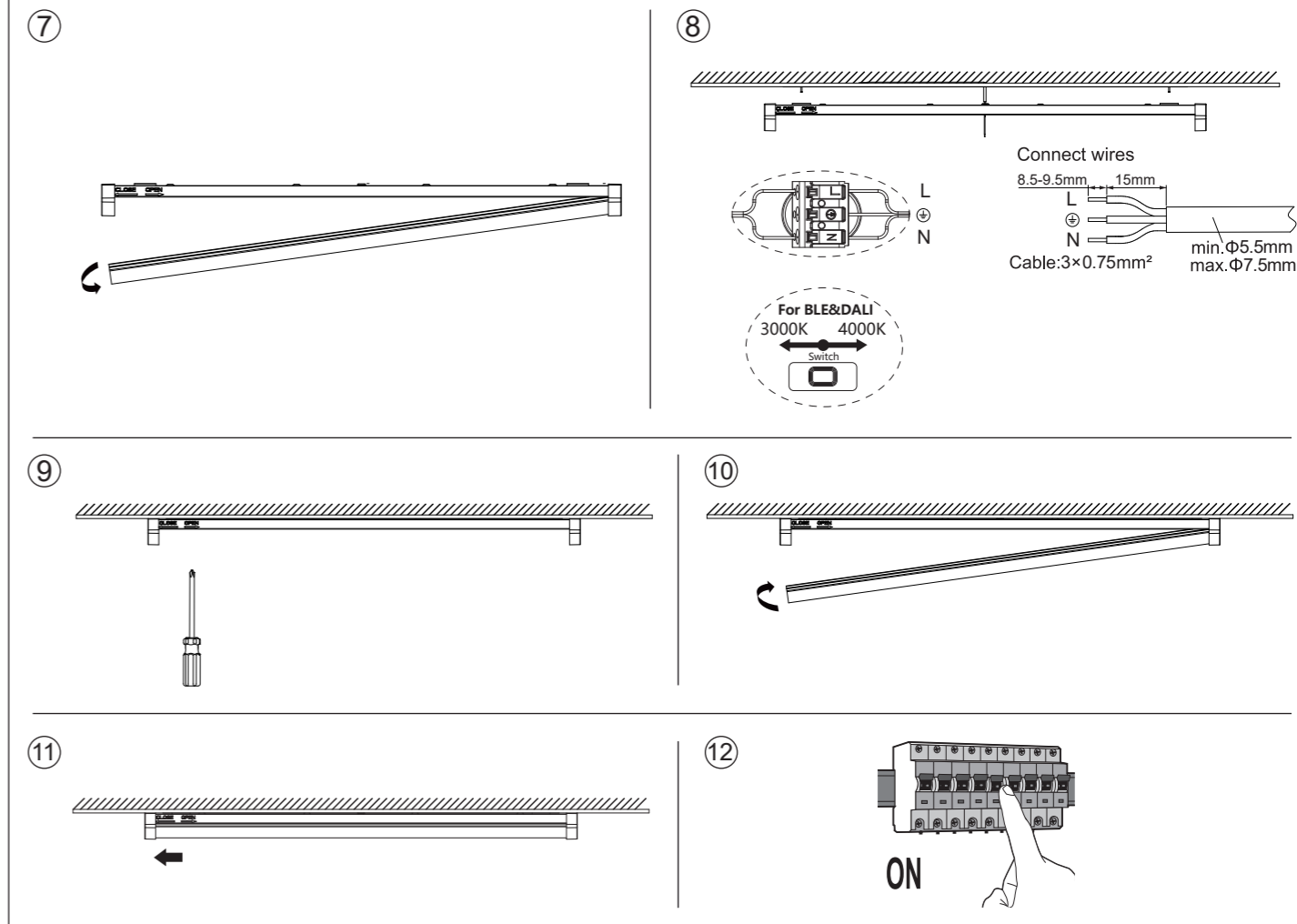
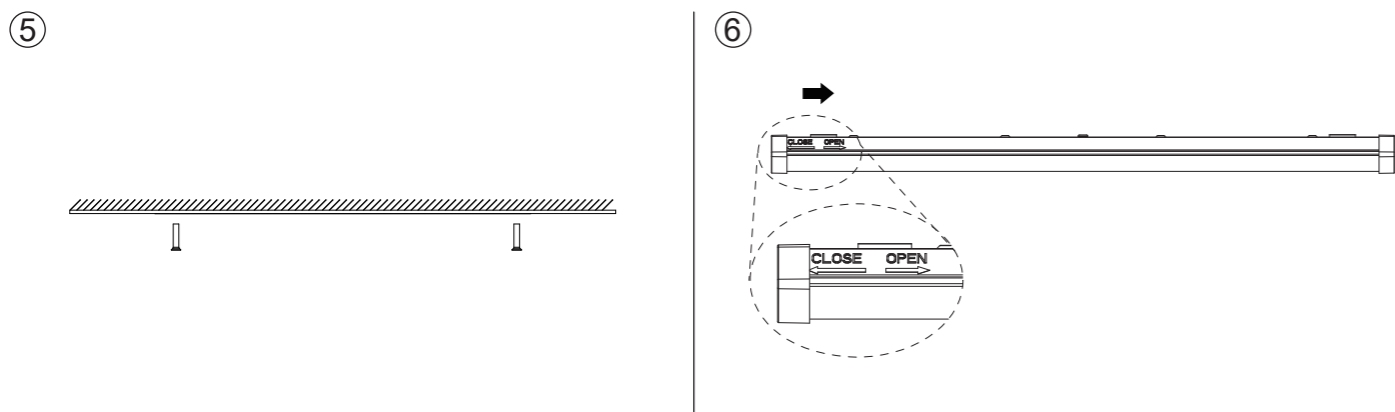
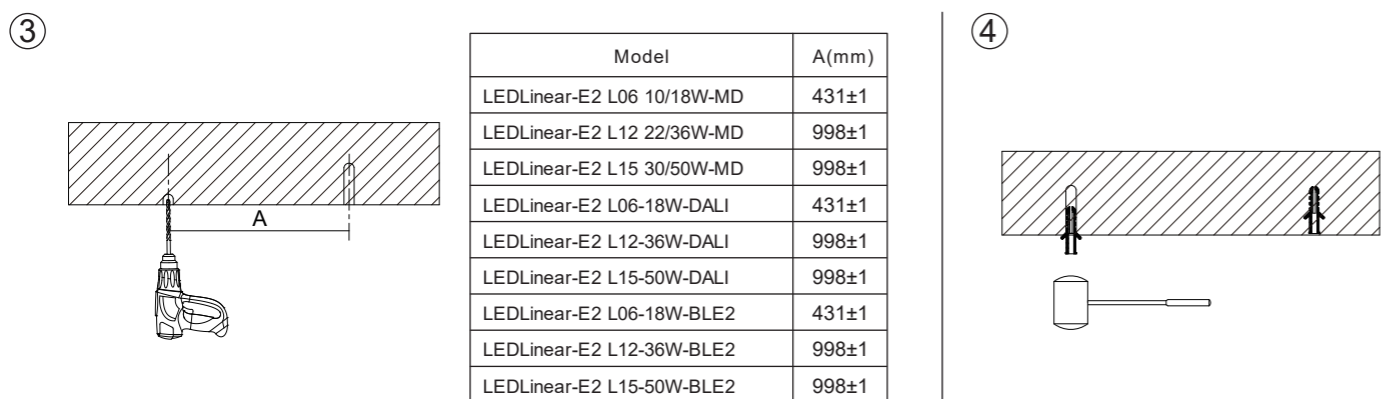
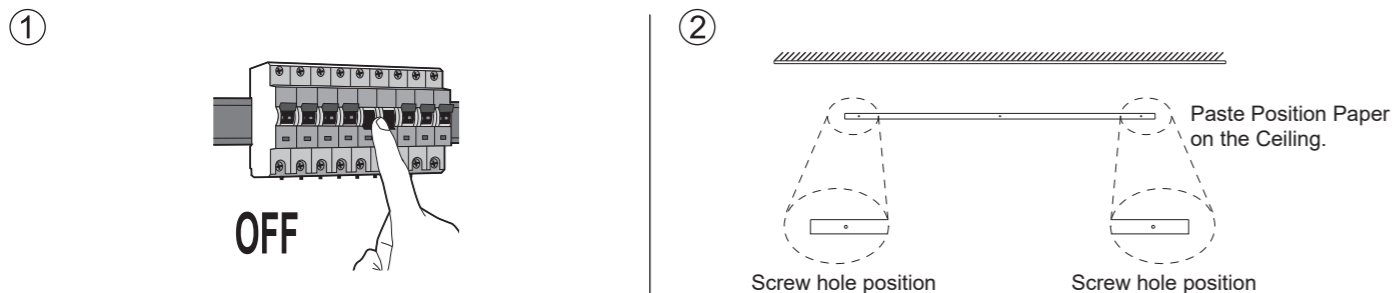
Microwave sensor Frequency Range: 5.8 GHz ±75 MHz, ISM Band
Microwave sensor RF Output Power: 3mW

For DALI versions

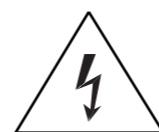


For BLE

Please refer to the smart BLE instructions.
Bluetooth Operating Frequency: 2402-2480 MHz
Bluetooth Max Transmission Power: <20dBm



When connecting the power supply, the user shall connect the terminal in the IP54 waterproof box, and the terminal box shall have a device for fixing the conductor.



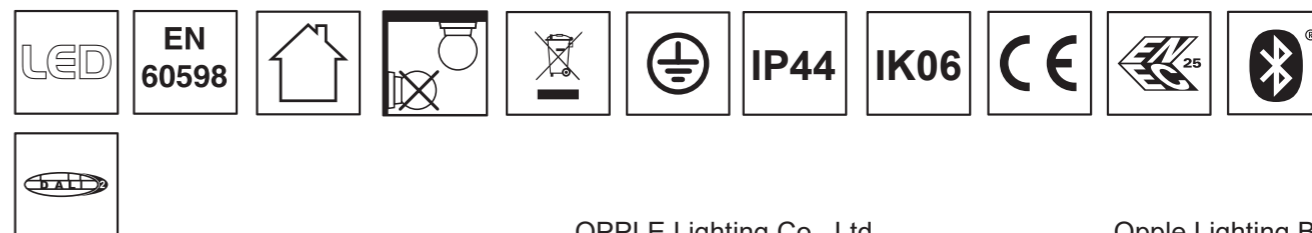
For non-user replaceable light sources.
The light source contained in this luminaire shall only be replaced by the manufacturer or his service agent or a similar qualified person.



Caution : Any operation is forbidden while power is on.
Indoor use only



For use in environments where normal non-conductive/conductive dust accumulation may be expected, not for use in environments with expected high/unusual dust accumulation.



Data subject to change
Les données sont sujettes à modifications
Änderungen vorbehalten

OPPLE Lighting Co., Ltd.
Room 411, Building 1 No. 6111,
Longdong Avenue, Pudong New District,
Shanghai City 201201, P. R. China
www.opple.com

Opplle Lighting B.V.
Meerenakkerweg 1-07
5652 AR Eindhoven
The Netherlands
service@opple.com