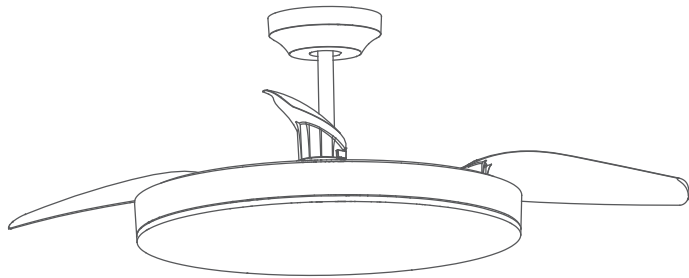


LED Fan Light

Instruction Manual



WARNING



WARNING
Danger! High voltage!



Don't open the LED fan light! Maintenance must be handled by a qualified person!



There is uninsulated high voltage inside the LED fan light. In order to avoid electric shock, please do not remove the cover or back plate without authorization. Professional maintenance personnel only!



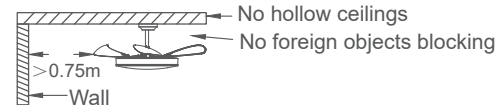
- Users are not allowed to repair any accessory in the LED fan light by themselves. Inspection and maintenance of the LED fan light should be performed by electrical professionals.
- If an unusual oscillating movement is observed, immediately stop using the LED fan light and contact the manufacturer, the service agent or suitably qualified personnel.
- To prevent the fan blade from causing damage to human body or other objects during operation, please ensure that the distance between the end of the fan blade and the ground is not less than 2.3m.
- Please use double-pole switch, and the power supply must be cut off before installation to prevent electric shock.
- People with physical or mental disabilities, or lack of experience and knowledge, including children, are not suitable to use the fan ceiling lamp, unless they are under the supervision or guidance of professional personnel.
- Children are not allowed to play with the LED fan light. / Children should be supervised to stay away from the LED fan light.
- The LED fan light is suitable for indoor use only.



Note: For non-user replaceable light sources:

The light source contained in this luminaire shall only be replaced by the manufacturer, the service agent or qualified personnel.

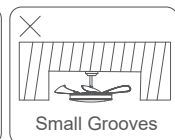
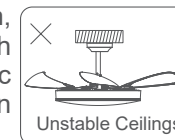
Installation Notice: In order to ensure the air volume and normal operation of the fan ceiling lamp, please follow the requirements below to install the product.



Note: The distance between the fan blade and the wall should be greater than 0.75m.

LED Fan Light	Application Minimum Area
LED FAN-E RD434 27+36W	≥8 m ²
LED FAN-E RD510 45+40W	≥10 m ²

This product cannot be installed on thin, soft and non-load-bearing ceilings, such as gypsum board, wood board, plastic board and thin metal sheets, etc., nor on the ceiling shown in the diagrams.



Attention



The mounting of the LED fan light and the suspension system and the replacement of parts of the safety suspension system device shall be performed by the manufacturer, the service agent or qualified personnel. Users are not allowed to install it by themselves.

- 1) Before installation and disassembly, the power supply must be cut off. To prevent electric shock, please follow the steps below to install and disassemble the fan ceiling lamp.
Wiring steps during installation: 1st step: connect earth wire, 2nd step: connect neutral wire, 3rd step: connect live wire.
Wire removing steps during disassembly: 1st step: remove live wire, 2nd step: remove neutral wire, 3rd step: remove earth wire.
- 2) When installing the product, the screws of each part must be locked firmly.
- 3) To avoid danger, nothing is allowed to touch the blade of a rotating LED fan light.
- 4) Technical Specification:

Model	Rated Voltage	Total Power	Total Rated Current	Total Power Factor	Fan Power	Fan Rated Current	Fan Power Factor	Fan IP	Lamp Power	Lamp Rated Current	Lamp Power Factor	Lamp IP	Weight	Color
LED FAN-E RD434 27+36W	220-240V~50/60Hz	63W	0.38A	0.70	36W	0.30A	0.49	IP20	27W	0.13A	0.94	IP40	4.1kg	White
LED FAN-E RD510 45+40W	220-240V~50/60Hz	85W	0.51A	0.78	40W	0.34A	0.50	IP20	45W	0.20A	0.95	IP40	4.1kg	White

5) Light Source: LED

Product code	Product Description	N	Light Source Code	QR code	Energy Label
525006003700	LEDFanlight-E Rd434-27+36W-830/840/857-WH	4	LS130000637		
525006003800	LEDFanlight-E Rd510-45+40W-830/840/857-WH	4	LS130001137		

*Note: This product contains a light source of energy efficiency class (E).

Included components

1. Hanging bracket ×1 	2. Downrod set ×1 	3. Decorative cover ×1 	4. Main body of fan ceiling lamp ×1
5. Remote controller ×1 	6. Instruction Manual ×1 	7. Expansion hook ×1, Expansion bolt ×2 	8. Washer ×4, Side fixing screw ×1

Installation Instruction

1

2

3

4

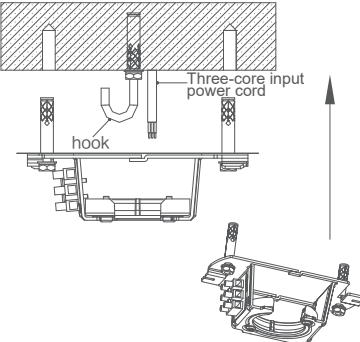
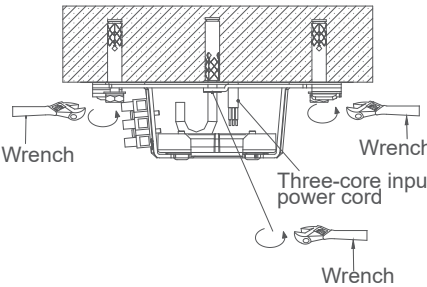
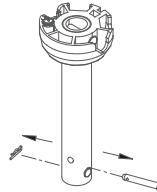
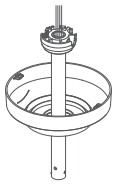
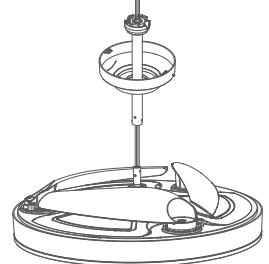
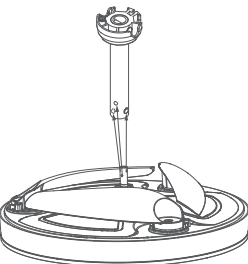
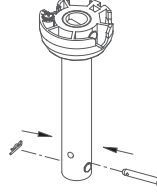
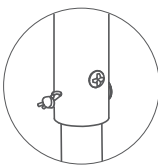
Refer to the diagram, drill 3 holes in the concrete ceiling with a depth of about 50mm. The 3 holes are not arranged in a straight line.

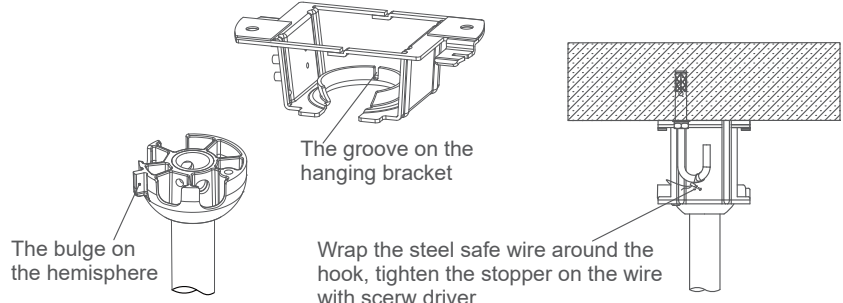
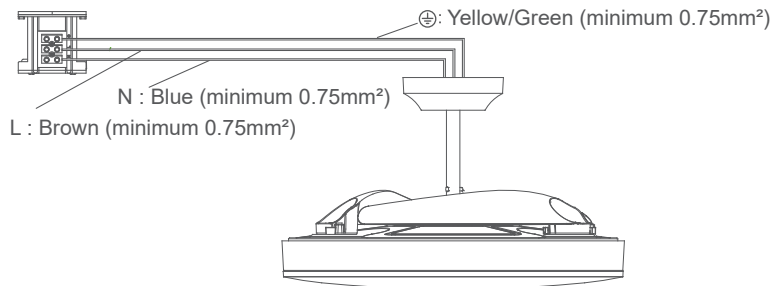
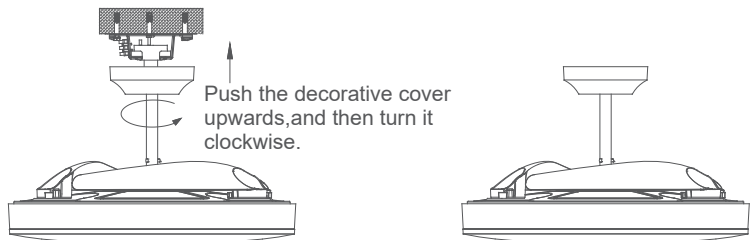
5

Loosen the nuts of the expansion screws.

6

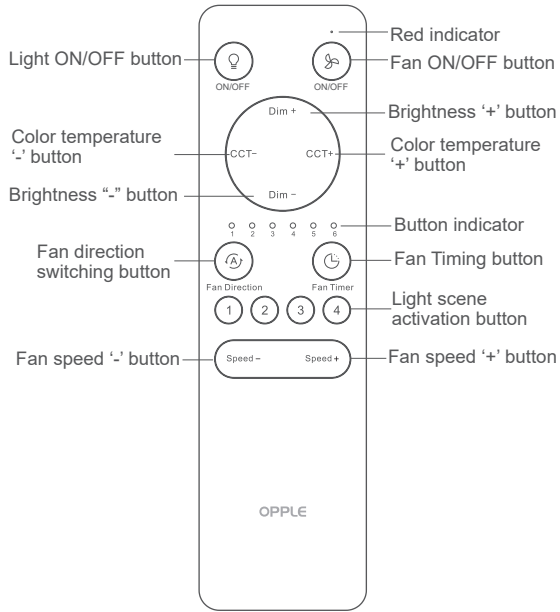
Combine the expansion screws with the hanging bracket.

<p>7 Install the assembled hanging bracket into the holes in ceiling.</p> 	<p>8 Tighten the nuts of the expansion hook and expansion bolt with a wrench.</p> 
<p>9.1 Remove the R latch and bottom latch from the downrod.</p> 	<p>9.2 Pass the downrod through the central hole of the decorative cover.</p> 
<p>9.3 Pass all the L/N and earth wires and steel safe wire through the downrod.</p> 	<p>9.4 Insert the downrod into the motor interface and align the three holes.</p> 
<p>9.5 Put the bottom latch through hole and fix with R latch.</p> 	<p>9.6 Screw the side fixing screw and ensure they are tightened.</p> 

<p>10 Hang the whole lamp on the hanging bracket, align the bulge on the hemisphere with the groove on the hanging bracket and lock the steel safety rope. The hanging bracket can withstand 4 times the weight of the fan ceiling lamp.</p> 
<p>11 Connect the wires as shown in the diagram.</p> 
<p>12 Install the decorative cover as shown in the diagram.</p> 

Instructions for Remote Controller

1. Keys of remote controller



- Remote control pairing procedure:
Make sure to turn of the power to the Fanlight for more than 20s.
Power the fan light. After the "beep" sound of the fan light, press the Light On/Off key on the remote more than 5 times within 3 seconds. After a successful pairing, a new "beep" sound will come from the fan light.
- Wall Switch Instructions:
Using wall switch, turn on fan light after turning off within 2s, the light follows the cycle of '4→3→2→1'. The light will be on at least 1s each time.
If turning on light after turning off over 2s, the light follows the status before it turns off.
If the remote is used to turn off the fan light, turn off the light, when turning off and on the wall switch, the light will turn on at nightlight mode.
- RF parameters:
Operating frequency: 2400MHz to 2483.5MHz
Maximum transmit power: <10dBm

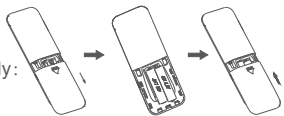
Basic Function

- Red indicator: Light up when pressing a button.
- Light ON/OFF button: Press button to turn on/off light, the light always keeps the status as last time.
- Fan ON/OFF button: Press button to turn on/off fan. When the fan is turned on, the buzzer will "beep" once; When the fan is turned off, the buzzer will "beep" twice.
- Brightness "+" button: Dim up the light as: 5% - 15% - 30% - 50% - 72% - 100%.
- Brightness "-" button: Dim down the light as: 100% - 72% - 50% - 30% - 15% - 5%.
- Color temperature '+' button: Change CCT of light as 3000K - 4000K - 5700K.
- Color temperature '-' button: Change CCT of light as 5700K - 4000K - 3000K.
- Fan direction switching button: Press this button, the buzzer will "beep" once. The fan will stop rotating and will reverse the fan rotation direction.
- Fan timing button: Press button to set the off time of fan automatically. Press this button once, the buzzer will "beep" once. The 6 timing indicator numbers represents 1, 2, 3, 4, 5, 6 hours off; When fan timing function canceled, timing indicator off, and the buzzer will "beep" twice.
- Model 1: Press button to change the light to 3000K (warm white) and 5% brightness.
- Model 2: Press button to change the light to 3000K (warm white) and 50% brightness.
- Model 3: Press button to change the light to 4000K (neutral white) and 72% brightness.
- Model 4: Press button to change the light to 5700K (cool white) and 100% brightness.
- Fan speed '+' button: Speed up the fan in 6 levels: 1 - 2 - 3 - 4 - 5 - 6.
- Fan speed '-' button: Speed down the fan in 6 levels: 6 - 5 - 4 - 3 - 2 - 1.

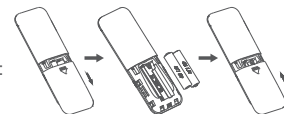
Notes:

- Brightness "+" button and Brightness "-" button are enabled when the light is on.
- Fan speed '+' button, Fan speed '-' button, Fan direction switching button and Fan timing button are enabled when the fan is on.

Steps of batteries assembly:



Steps of batteries removal:



- Note:
- Batteries should be assembled with the correct polarity. The supply terminals can not to be short-circuited.
 - If the remote controller is to be stored unused for a long period, the batteries should be removed from it.
 - Exhausted batteries should be removed from the remote controller and put into battery recovery box.
 - Rechargeable batteries should be removed from the remote controller before being charged.
 - Non-rechargeable batteries shall not to be recharged.

OPPLE

Upkeep and Maintenance

Caution:

- Before maintenance, the power supply must be cut off to prevent electric shock. In order to use the product safely and efficiently, please clean it regularly and check it (once every six months).
- When cleaning it, please cut off the power, wipe it with a soft cloth dampened with soapy water, and wipe it with a dry cloth. Do not use other reagents for cleaning. Otherwise, the lamp body will be discolored or damaged.

Oppl Lighting B.V.

Meerenakkerweg 1-07 | 5652 AR Eindhoven

The Netherlands

service@opple.com

OPPLE Lighting Co., Ltd.

Room 411, Building 1 No. 6111, Longdong Avenue,
Pudong New District, Shanghai City 201201, P.R.China

www.opple.com



250054986000