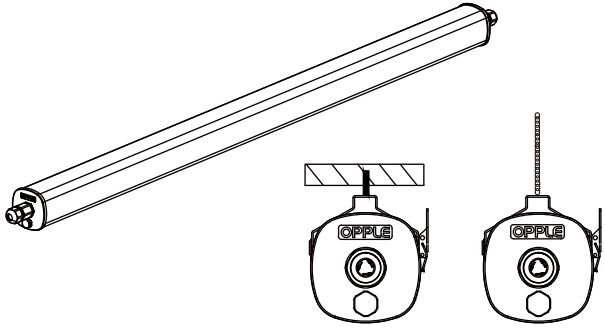
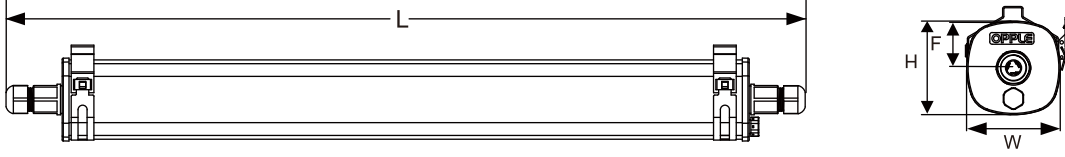


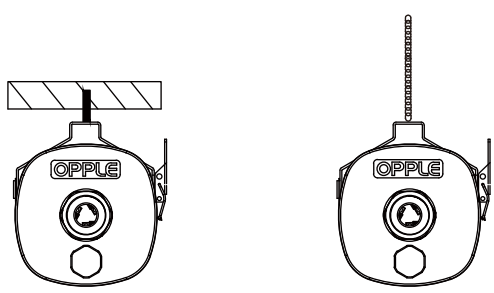
LED Waterproof Special

Item Code	CCT	kg
531000031600	4000K	1.45kg
531000031700	4000K	1.25kg

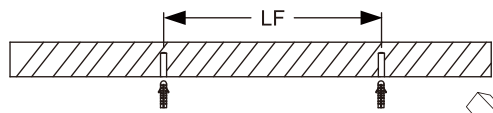
Model	L (mm)	W (mm)	H (mm)	F (mm)	Rated Voltage	Frequency	Rated Power (W)	Application Temperature (°C)	Energy Label	Light Source Code	QR Code
LED WP-SE L1550-54W-DALI	1575	73	73	36	220-240V~	50/60Hz	54	-20~+45		LS073005415	
LED WP-SE L1250-45W-DALI	1295						45	-20~+45		LS073004515	

Installation




Surface Mounting **Suspension Mounting**

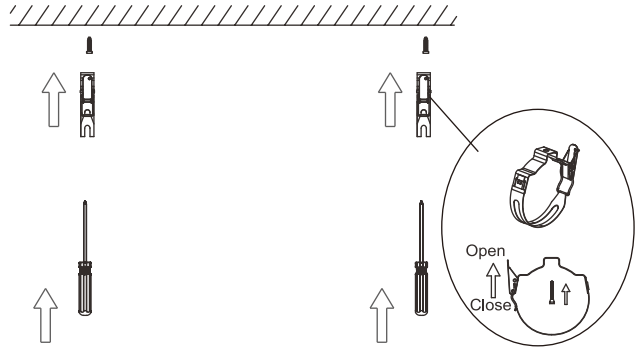
①



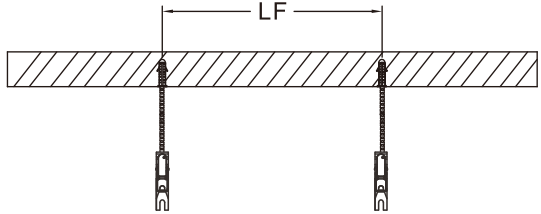
Model	LF(mm)
LED WP-SE L1550-54W-DALI	Variabel
LED WP-SE L1250-45W-DALI	Variabel



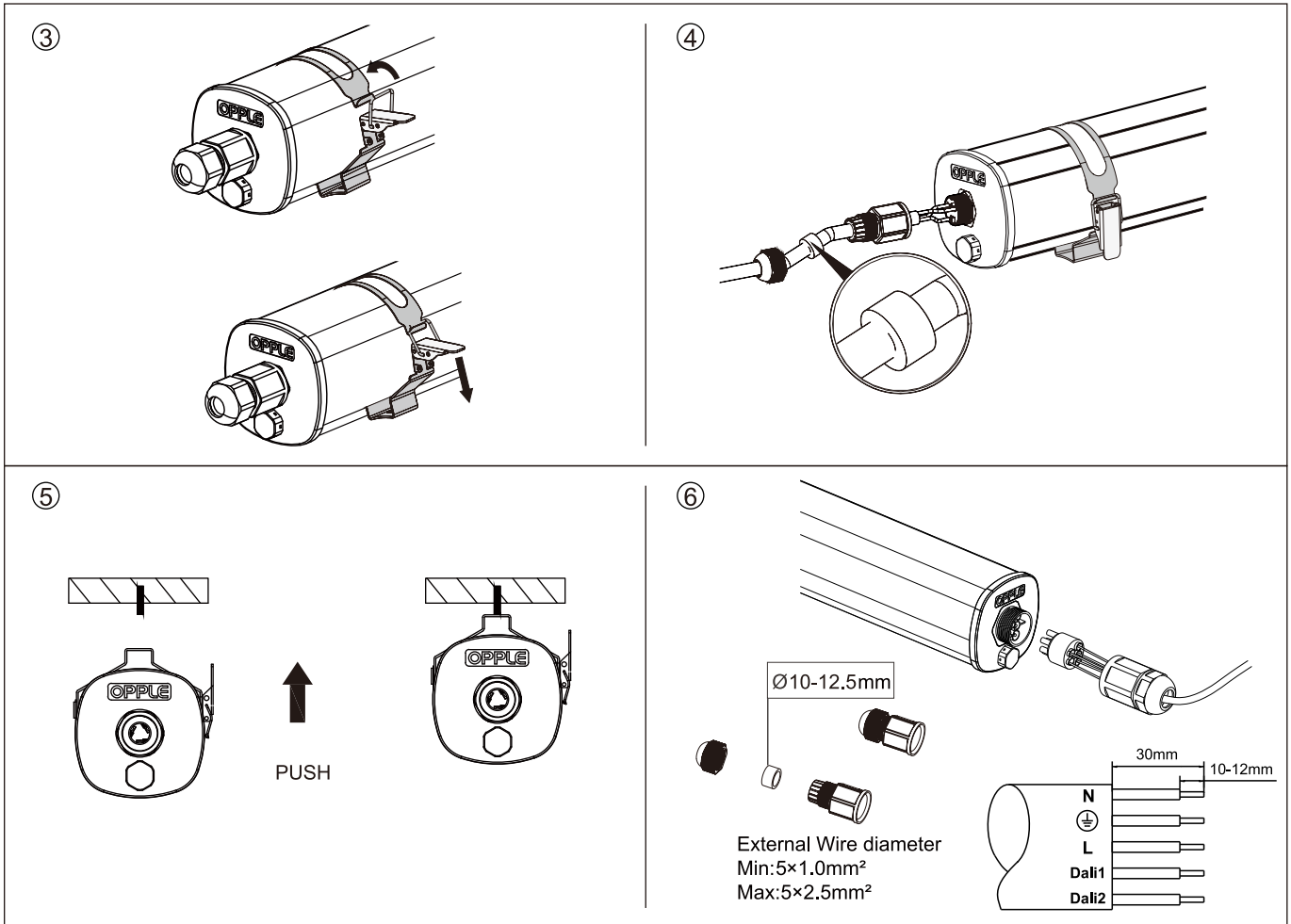
② **Surface Mounting**



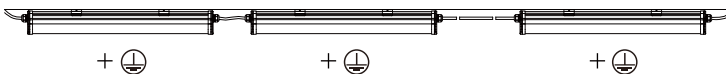
② **Suspension Mounting**



Hanging rope



LUMINAIRE IS ELECTRICAL PROTECTION CLASS I



The luminaire is equipped with an extra through wire that can be used to connect the ground wire to the end of the line

Model	Number of interconnected wires
LED WP-SE L1550-54W-DALI	14PCS
LED WP-SE L1250-45W-DALI	17PCS



Caution: Any operation on LED module is forbidden while power-on.
Zur Vermeidung von Risiken müssen defekte Leitungen ausschließlich vom Hersteller, Inverkehrbringer oder Fachmann ausgetauscht werden.
Achtung: In Betrieb ist keine Arbeit am LED-Modul erlaubt.



For non-user replaceable light sources:
The light source contained in this luminaire shall only be replaced by the manufacturer or his service agent or a similar qualified person.
Das Leuchtmittel dieser Leuchte ist nicht austauschbar. Wenn das Leuchtmittel das Ende seiner Lebensdauer erreicht hat, muss die gesamte Leuchte ersetzt werden.



For use in environments where normal non-conductive/conductive dust accumulation may be expected, not for use in environments with expected high/unusual dust accumulation.



OPPLE Lighting B.V.
Meerenakkerweg 1.11
5652 AR Eindhoven
The Netherlands
service@opple.com
www.opple.com

Data subject to change
Les données sont sujettes à modifications
Änderungen vorbehalten

Oppl Lighting Electronic (Zhongshan) Co., Ltd.
Building A, No.275 Dongan Bei Road, Haizhou District,
Guzhen Town, Zhongshan City, Guangdong, China.