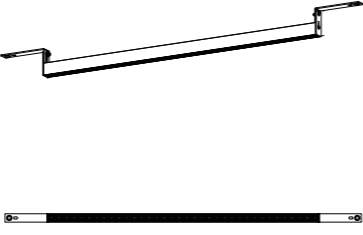
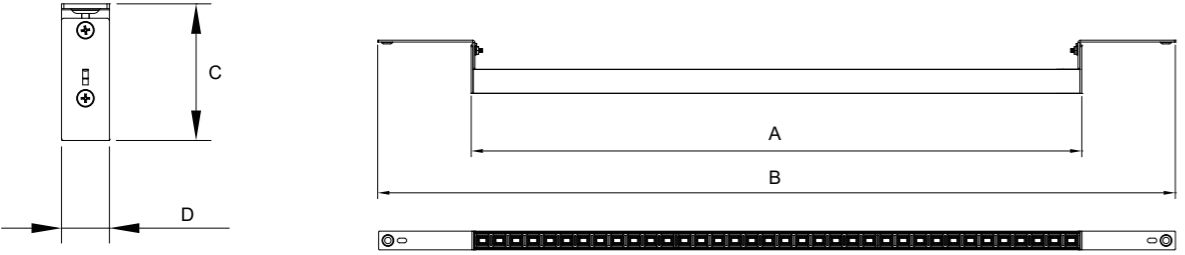


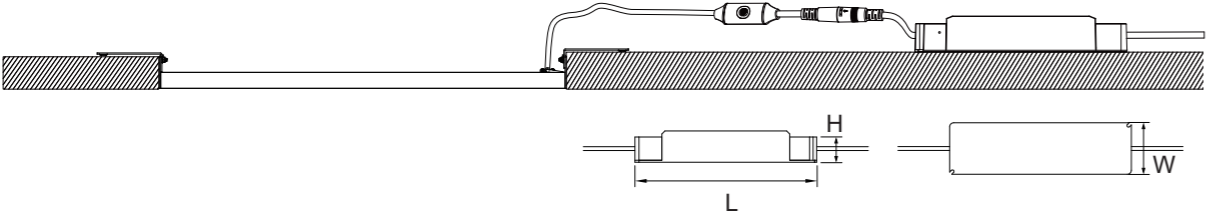
Item Code	Luminaire Description	CCT	kg
529002237800	LEDSAPP-P L06-24W-830/840-U19	3000K/4000K	0.85kg
529002238300	LEDSAPP-P L06-24W-DALI-830/840-U19	3000K/4000K	1.05kg
529002238000	LEDSAPP-P L06-24W-BLE2-830/840-U19	3000K/4000K	1.05kg
529002238200	LEDSAPP-P L12-32W-830/840-U19	3000K/4000K	1.28kg
529002238100	LEDSAPP-P L12-32W-DALI-830/840-U19	3000K/4000K	1.48kg
529002237500	LEDSAPP-P L12-32W-BLE2-830/840-U19	3000K/4000K	1.48kg
529002237700	LEDSAPP-P L15-35W-830/840-U19	3000K/4000K	1.43kg
529002237600	LEDSAPP-P L15-35W-DALI-830/840-U19	3000K/4000K	1.63kg
529002237900	LEDSAPP-P L15-35W-BLE2-830/840-U19	3000K/4000K	1.63kg



### Product dimension



Model Name	A(mm)	B(mm)	C(mm)	D(mm)	Cut-out L (mm)	Cut-out W (mm)	Recessed height(mm)
LED LR-SAPP-P L06	653	853	57	20	655	21	55-70
LED LR-SAPP-P L12	1301	1501	57	20	1303	21	55-70
LED LR-SAPP-P L15	1517	1717	57	20	1519	21	55-70

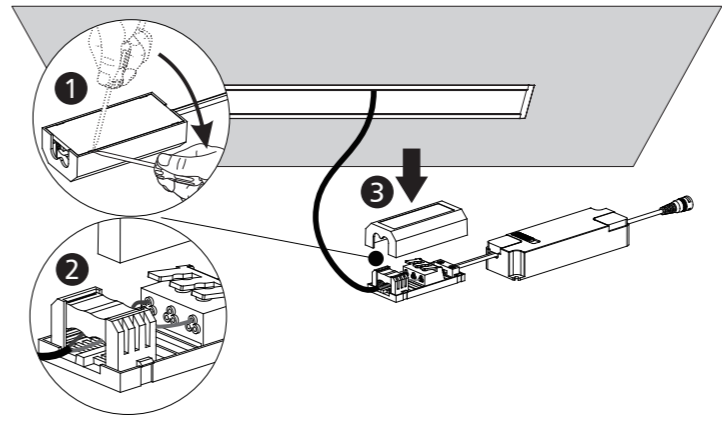


Driver Model	Dimmable	L (mm)	W (mm)	H (mm)
OP-IDSCH0401050B2-01	On-off	180	49	31
OP-IDSCH0401050D2-01	Dali2	180	49	31
OP-IESCC0400950E1-03	BLE	140	43	26

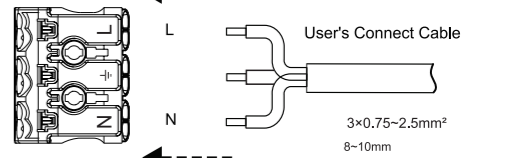
### Light Source

Product Code	Product Description	N	Light Source Code	QR Code	Energy Label
529002237800	LEDSAPP-P L06-24W-830/840-U19	1	LS141002232		
529002238300	LEDSAPP-P L06-24W-DALI-830/840-U19	1			
529002238000	LEDSAPP-P L06-24W-BLE2-830/840-U19	1			
529002238200	LEDSAPP-P L12-32W-830/840-U19	1	LS141002932		
529002238100	LEDSAPP-P L12-32W-DALI-830/840-U19	1			
529002237500	LEDSAPP-P L12-32W-BLE2-830/840-U19	1			
529002237700	LEDSAPP-P L15-35W-830/840-U19	1	LS141003232		
529002237600	LEDSAPP-P L15-35W-DALI-830/840-U19	1			
529002237900	LEDSAPP-P L15-35W-BLE2-830/840-U19	1			

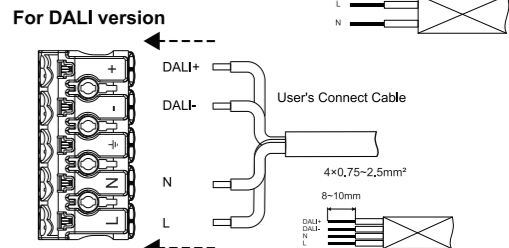
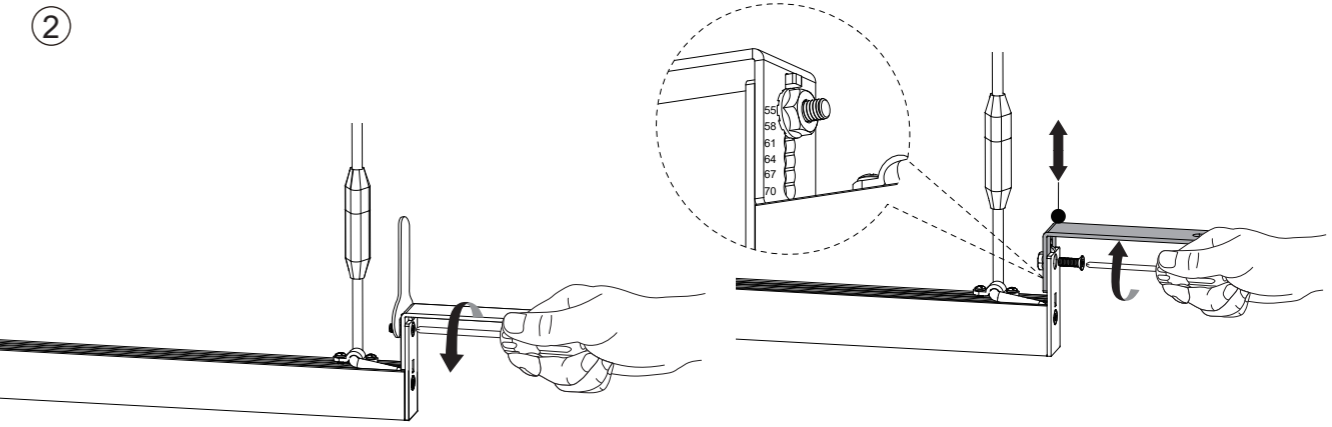
### Recessed Installation



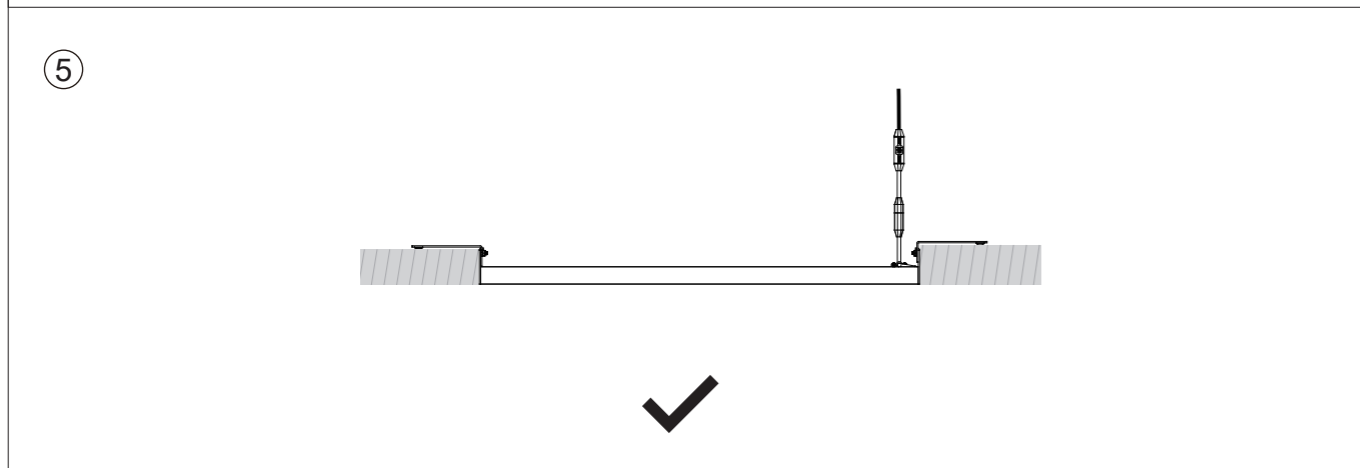
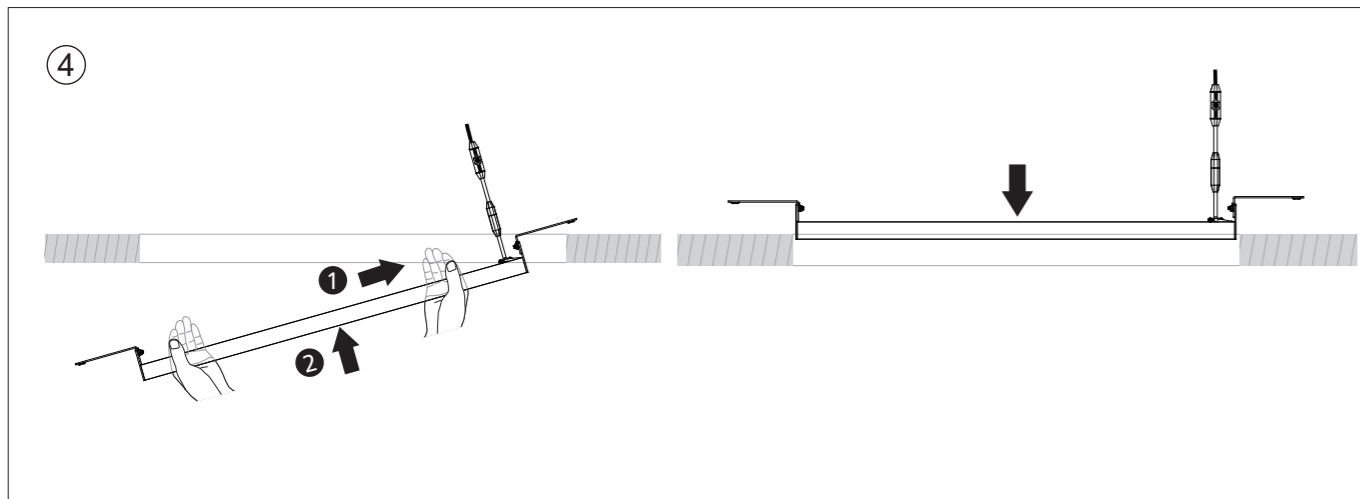
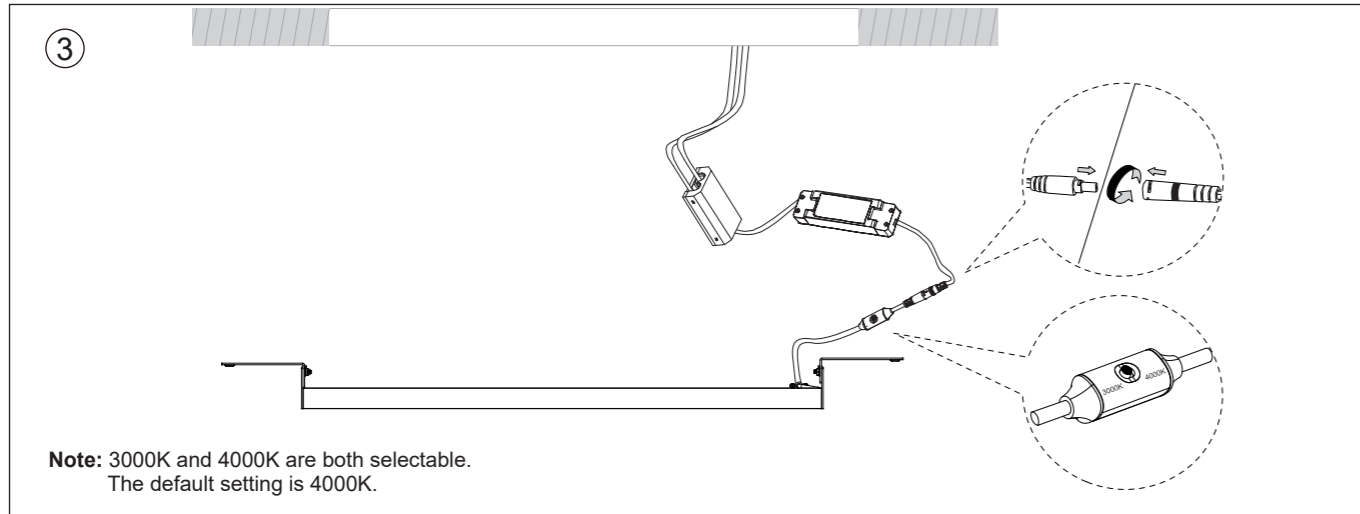
**For On-off/ BLE version**



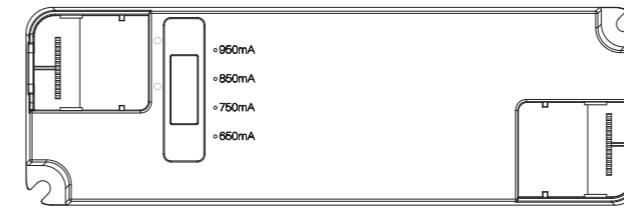
**For DALI version**

**Note:** The mounting height of bracket is adjustable.  
According to application you may select 55/ 58/ 61/ 64/ 67/ 70 mm.

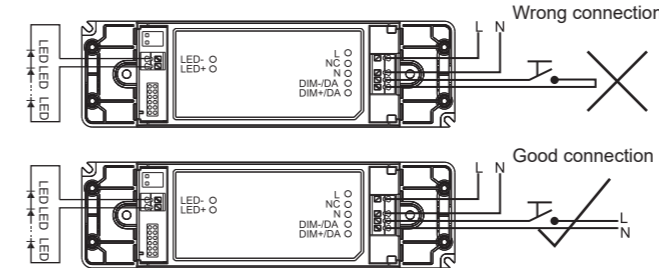


### LED drivers On-off version (Power selection)



Model Name	Output current (mA)	Wattage (W)	Lumen (lm)
LED LR-SAPP-P-L06	650 (default)	24	2880
	750	X (not allowed)	X (not allowed)
	850	X (not allowed)	X (not allowed)
	950	X (not allowed)	X (not allowed)
LED LR-SAPP-P-L12	650	24	3120
	750	28	3640
	850 (default)	32	4160
	950	X (not allowed)	X (not allowed)
LED LR-SAPP-P-L15	650	24	3120
	750	28	3640
	850	32	3140
	950 (default)	35	4550

### DALI driver with included Touch Dim functionality



Function	Contact Duration	Reaction
No Action	<50ms	Nothing
Short Push	50-500ms	Turn on or off
Long Push	>500ms	Dimming up or down
Synchronisation	10s	Go to SYNC level, 50%
	20s	Go to SYNC level, 100%

Touch Dim Terminal Consumption: Typical 3mA(230V).

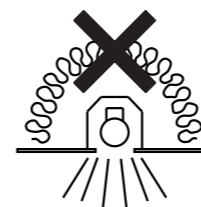
**Warning:** TD function and DALI function can't be used at the same time, to avoid damaging the DALI system by high voltage.

### Caution

The luminaire is only suitable for safety extra low voltage supply (<50Va.c.; <120Vd.c.).  
The controlgear for the connection panel should be SELV.  
It must be basic insulation between FELV and SELV, as is FELV and LV supply for 1-10V and DALI type.  
The light source contained in this luminaire shall only be replaced by the manufacturer or his service agent or a similar qualified person.  
For Bluetooth products, Bluetooth operating frequency: 2402-2480 MHz, Bluetooth max. transmission power: <10 dBm.

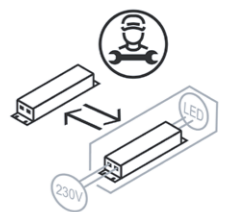
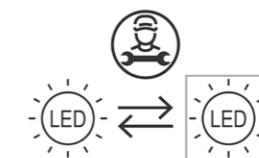
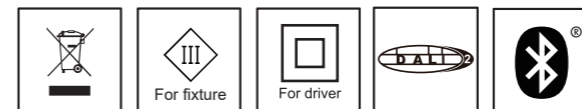


Caution: Any operation on the LED module is strictly forbidden while the power is on.  
Defective wiring must only be replaced by the manufacturer, distributor, or a qualified technician.  
Achtung: Arbeiten am LED-Modul sind während des Betriebs strikt verboten.  
Defekte Leitungen dürfen ausschließlich vom Hersteller, Händler oder einer qualifizierten Fachkraft ausgetauscht werden.



This luminaire is not suitable for covering with thermally insulating materials.  
If the wiring is damaged, it must be replaced by the manufacturer, distributor, or a qualified expert to avoid risks.  
Diese Leuchte ist nicht für die Abdeckung mit thermisch isolierenden Materialien geeignet.  
Im Falle eines Drahtschadens darf dieser nur vom Hersteller, Händler oder einer qualifizierten Fachkraft ersetzt werden, um Risiken zu vermeiden.

For type Y attachments:  
If the external flexible cable or cord of this luminaire is damaged, it shall be exclusively replaced by the manufacturer or his service agent or a similar qualified person in order to avoid a hazard.



Data subject to change  
Les données sont sujettes à modifications  
Änderungen vorbehalten

OPPLE Lighting Co., Ltd.  
Room 411, Building 1 No. 6111,  
Longdong Avenue, Pudong New District,  
Shanghai City 201201, P. R. China  
www.opple.com

Opplle Lighting B.V.  
Meerenakkerweg 1-07  
5652 AR Eindhoven  
The Netherlands  
service@opple.com

250055158000