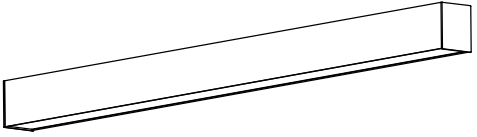
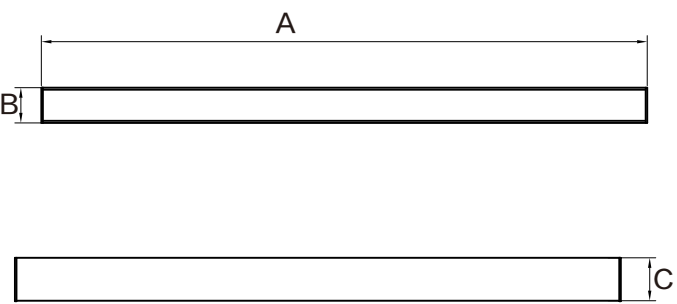


Item Code	Luminaire Description	CCT	kg
529000318300	LEDLima-P2 L12-28W-DALI-830/840-U19-BL	3000/4000K	2.99kg
529000318400	LEDLima-P2 L12-28W-BLE2-830/840-U19-BL	3000/4000K	2.99kg
529000318500	LEDLima-P2 L12-28W-DALI-830/840-U19-AL	3000/4000K	2.99kg
529000318600	LEDLima-P2 L12-28W-BLE2-830/840-U19-AL	3000/4000K	2.99kg
529000318700	LEDLima-P2 L15-33W-DALI-830/840-U19-BL	3000/4000K	3.70kg
529000318800	LEDLima-P2 L15-33W-BLE2-830/840-U19-BL	3000/4000K	3.70kg
529000318900	LEDLima-P2 L15-33W-DALI-830/840-U19-AL	3000/4000K	3.70kg
529000319000	LEDLima-P2 L15-33W-BLE2-830/840-U19-AL	3000/4000K	3.70kg
529000319100	LEDLima-P2 L12-20W-DALI-830/840-D-U19-BL	3000/4000K	2.99kg
529000319200	LEDLima-P2 L12-20W-BLE2-830/840-D-U19-BL	3000/4000K	2.99kg
529000319300	LEDLima-P2 L12-20W-DALI-830/840-D-U19-AL	3000/4000K	2.99kg
529000319400	LEDLima-P2 L12-20W-BLE2-830/840-D-U19-AL	3000/4000K	2.99kg
529000319500	LEDLima-P2 L15-23W-DALI-830/840-D-U19-BL	3000/4000K	3.70kg
529000319600	LEDLima-P2 L15-23W-BLE2-830/840-D-U19-BL	3000/4000K	3.70kg
529000319700	LEDLima-P2 L15-23W-DALI-830/840-D-U19-AL	3000/4000K	3.70kg
529000319800	LEDLima-P2 L15-23W-BLE2-830/840-D-U19-AL	3000/4000K	3.70kg
529098052800*	Lima I-connection-G2	/	0.05kg
529098052900*	Lima L-connection-G2-BL	3000/4000K	0.60kg
529098053000*	Lima T-connection-G2-BL	3000/4000K	0.76kg
529098053100*	Lima X-connection-G2-BL	3000/4000K	0.84kg
529098053200*	Lima L-connection-G2-AL	3000/4000K	0.60kg
529098053300*	Lima T-connection-G2-AL	3000/4000K	0.76kg
529098053400*	Lima X-connection-G2-AL	3000/4000K	0.84kg
529098053500*	LEDLima-P2-Canopy-BL	/	0.65kg
529098053600*	LEDLima-P2-Canopy-AL	/	1.65kg
529098053700*	LEDLima-P2-Lens-12m	/	1.25kg











*Accessories should be purchased separately.



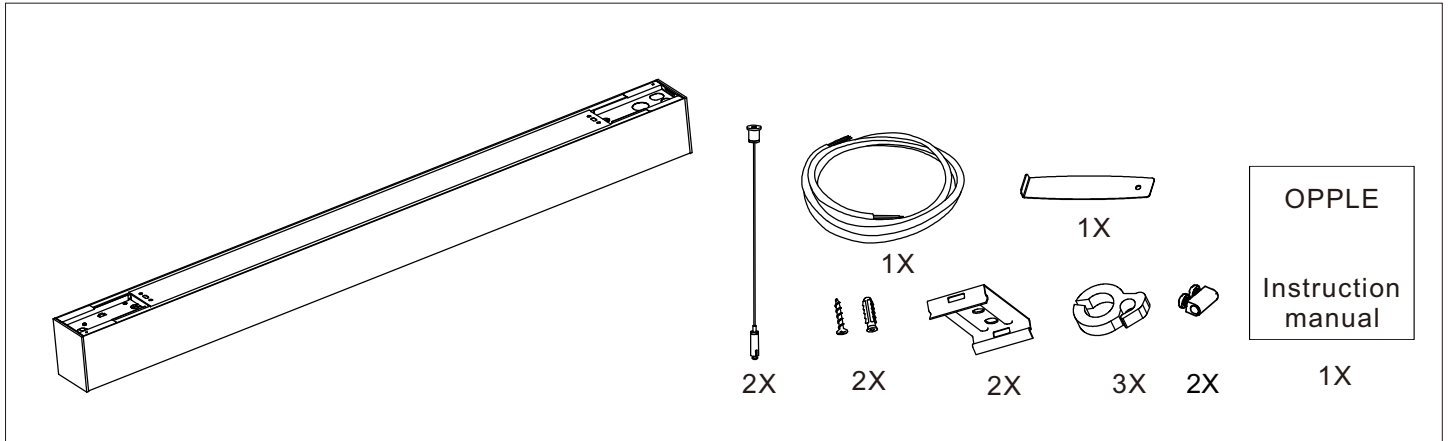
Model Name	A(mm)	B(mm)	C(mm)
LED LR-LIMA-P2 L12-28W-DALI-U19	1202	70	85
LED LR-LIMA-P2 L12-28W-BLE-U19	1202	70	85
LED LR-LIMA-P2 L12-28W-DALI-U19	1202	70	85
LED LR-LIMA-P2 L12-28W-BLE-U19	1202	70	85
LED LR-LIMA-P2 L15-33W-DALI-U19	1502	70	85
LED LR-LIMA-P2 L15-33W-BLE-U19	1502	70	85
LED LR-LIMA-P2 L15-33W-DALI-U19	1502	70	85
LED LR-LIMA-P2 L15-33W-BLE-U19	1502	70	85
LED LR-LIMA-P2 L12-20W-DALI-D-U19	1202	70	85
LED LR-LIMA-P2 L12-20W-BLE-D-U19	1202	70	85
LED LR-LIMA-P2 L12-20W-DALI-D-U19	1202	70	85
LED LR-LIMA-P2 L12-20W-BLE-D-U19	1202	70	85
LED LR-LIMA-P2 L15-23W-DALI-D-U19	1502	70	85
LED LR-LIMA-P2 L15-23W-BLE-D-U19	1502	70	85
LED LR-LIMA-P2 L15-23W-DALI-D-U19	1502	70	85
LED LR-LIMA-P2 L15-23W-BLE-D-U19	1502	70	85

Light Source

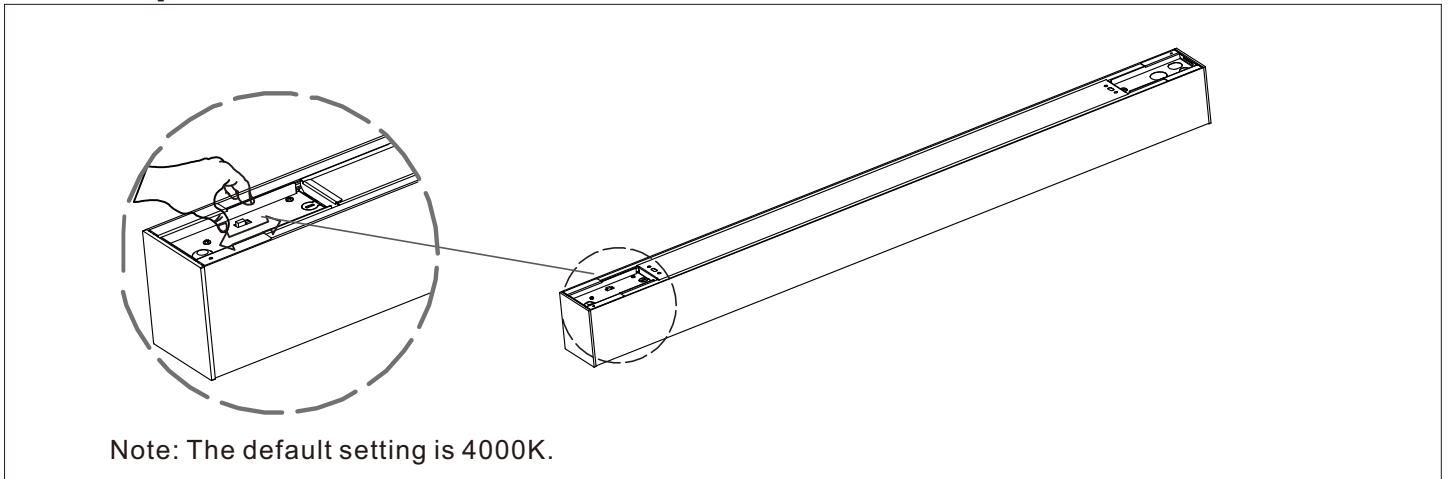
Model	N	Light source code	Position
LED LR-LIMA-P2 L12-28W-DALI-U19	1	LS139002032	Down
LED LR-LIMA-P2 L12-28W-BLE-U19	1	LS139002032	Down
LED LR-LIMA-P2 L15-33W-DALI-U19	1	LS139002332	Down
LED LR-LIMA-P2 L15-33W-BLE-U19	1	LS139002332	Down
LED LR-LIMA-P2 L12-20W-DALI-D-U19	1	LS139000832	Up
	1	LS139002032	Down
LED LR-LIMA-P2 L12-20W-BLE-D-U19	1	LS139000832	Up
	1	LS139002032	Down
LED LR-LIMA-P2 L15-23W-DALI-D-U19	1	LS139001032	Up
	1	LS139002332	Down
LED LR-LIMA-P2 L15-23W-BLE-D-U19	1	LS139001032	Up
	1	LS139002332	Down

Light source code	QR Code	Energy Label
LS139002032		
LS139000832		
LS139002332		
LS139001032		

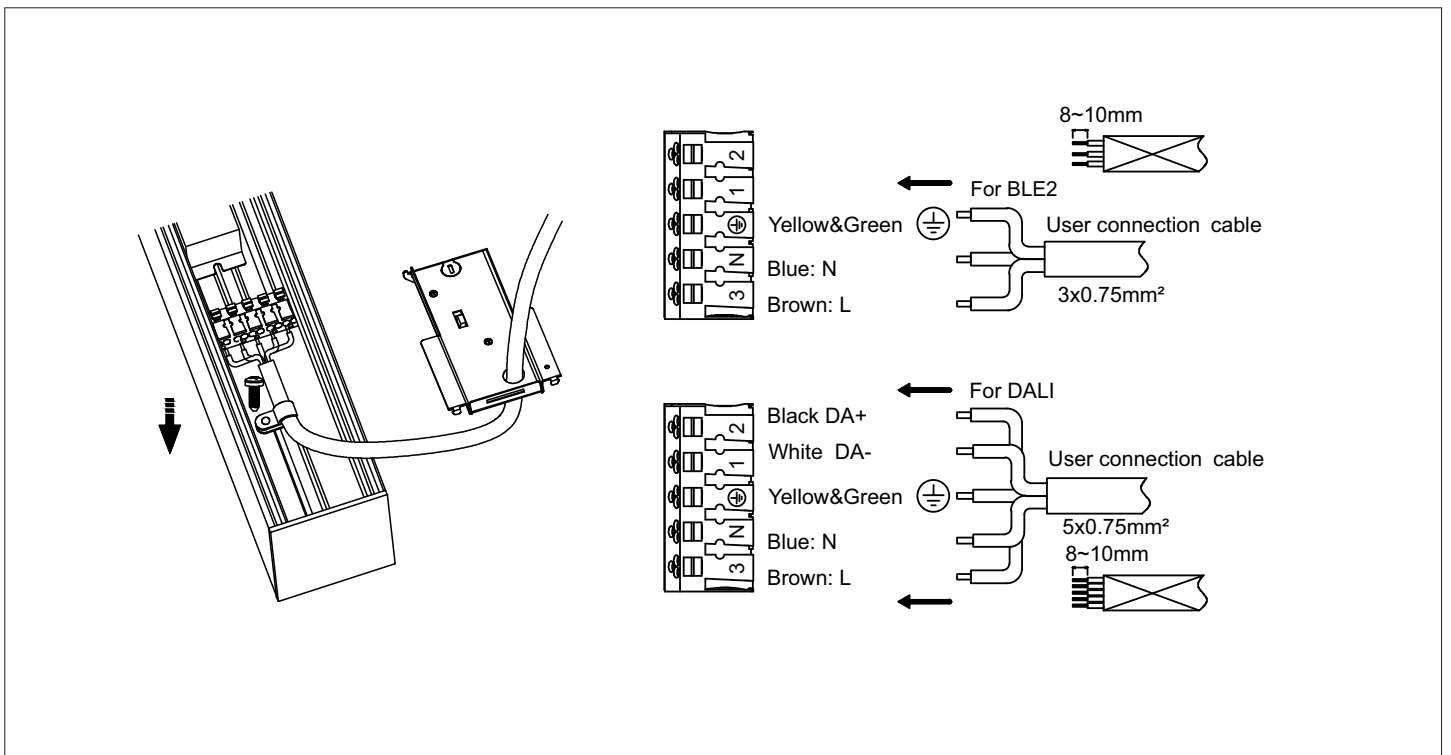
Packaging includes



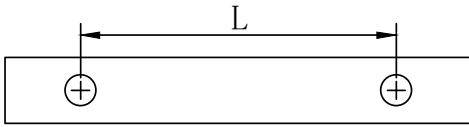
CCT Dip Switch



Wiring Connection

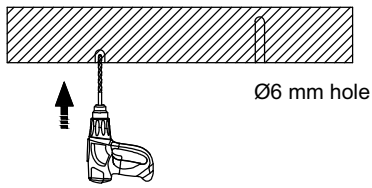


Suspended Mounting

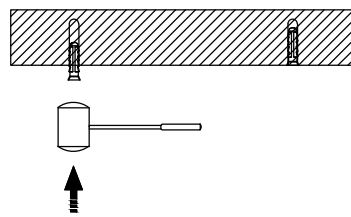


Model Name	Product length	L(mm)
LED LR-LIMA-P2 L12	1202mm	960mm
LED LR-LIMA-P2 L15	1502mm	1260mm

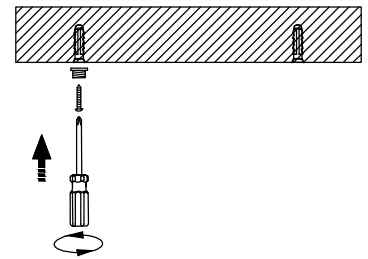
①



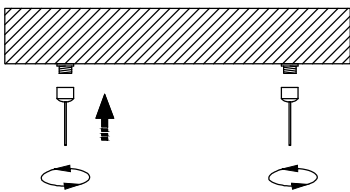
②



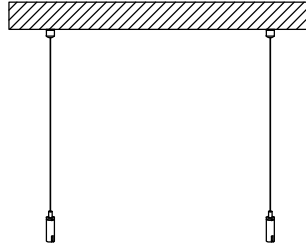
③



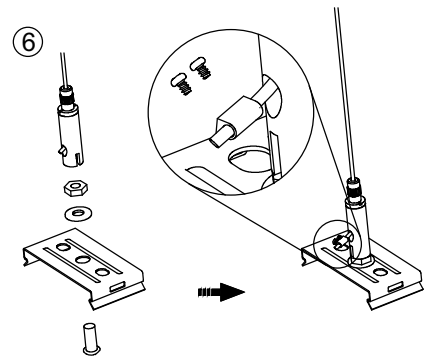
④



⑤

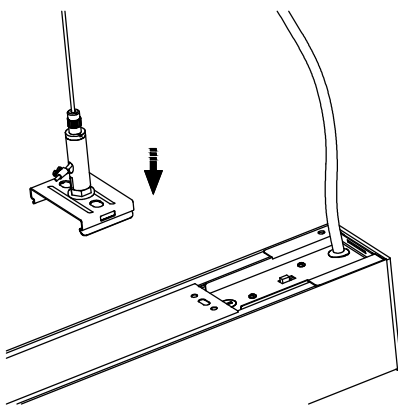


⑥

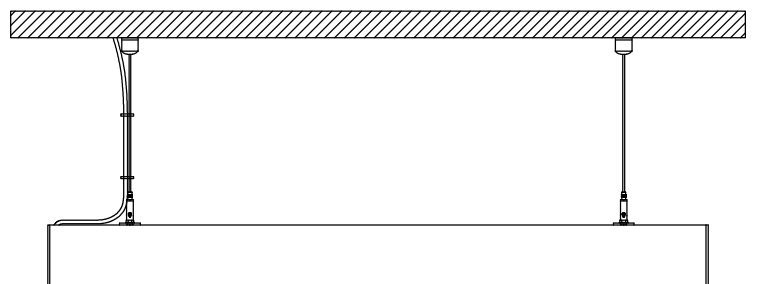


Max. suspension length of wire is 1.5m.

⑦

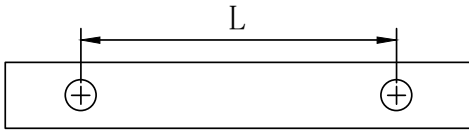
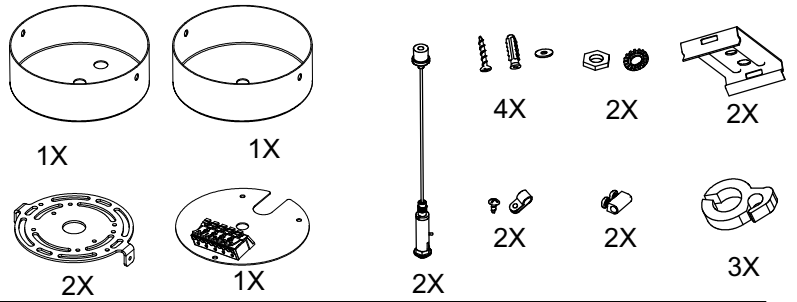


⑧

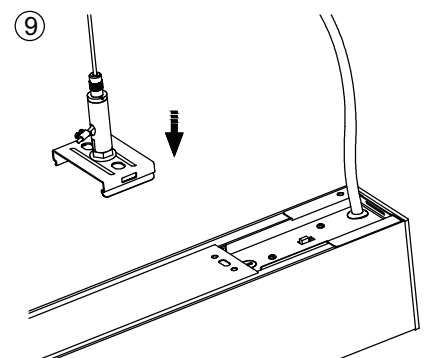
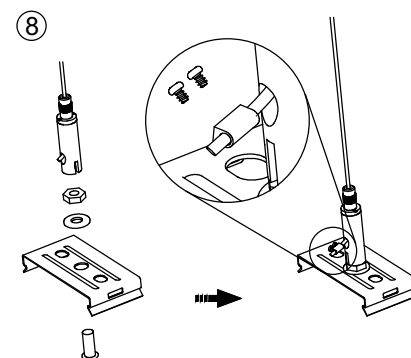
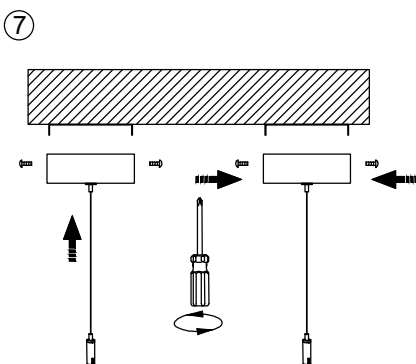
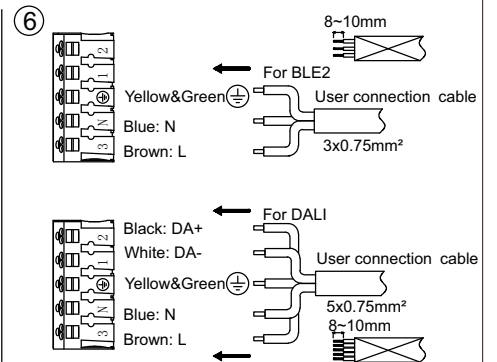
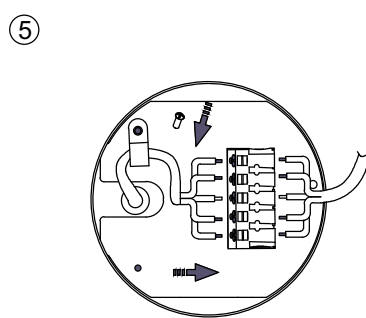
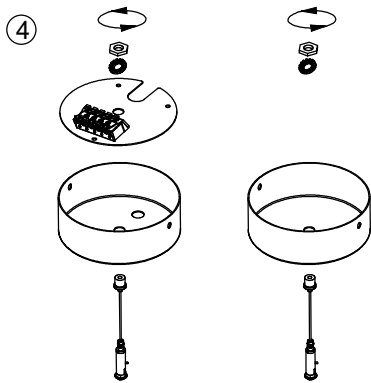
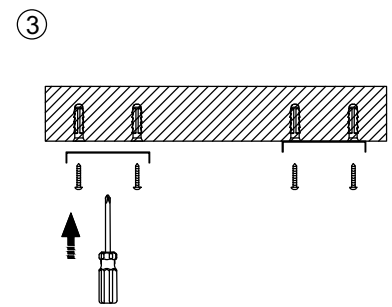
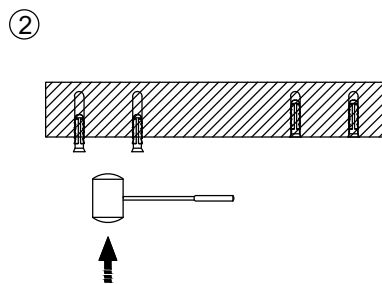
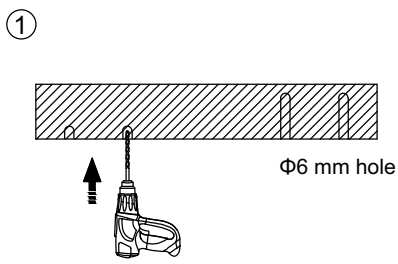


Suspended Mounting with Canopy

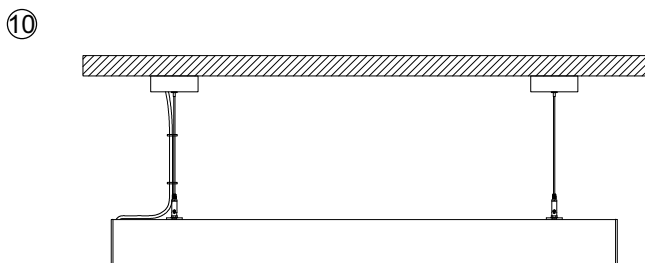
Item Code	Luminaire Description
529098053500*	LEDLima-P2-Canopy-BL
529098053600*	LEDLima-P2-Canopy-AL



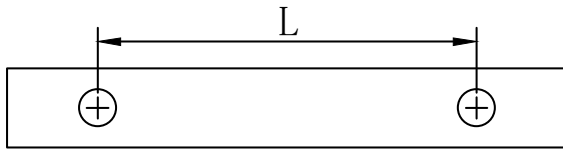
Model Name	Product length	L(mm)
LED LR-LIMA-P2 L12	1202mm	960mm
LED LR-LIMA-P2 L15	1502mm	1260mm



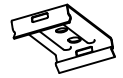
Max. suspension length of wire is 1.5m.



Surface mounted



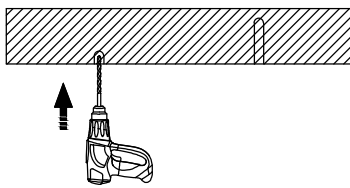
2X



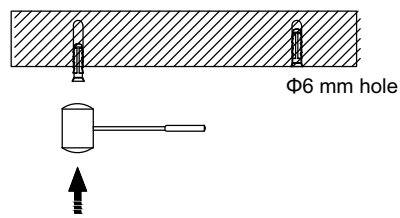
2X

Model Name	Product length	L(mm)
LED LR-LIMA-P2 L12	1202mm	960mm
LED LR-LIMA-P2 L15	1502mm	1260mm

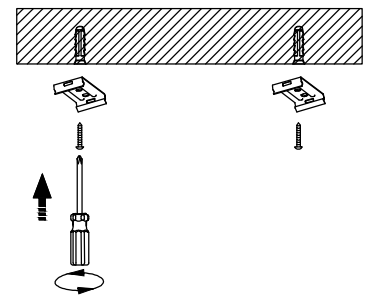
①



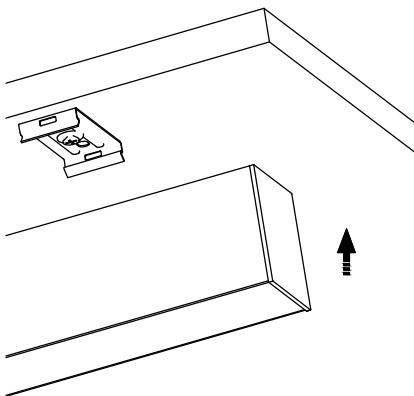
②



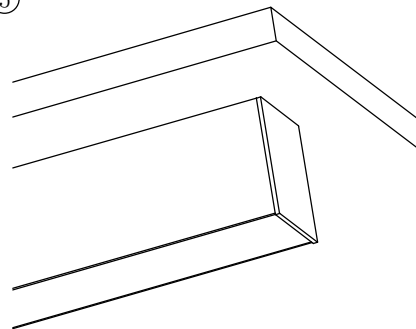
③



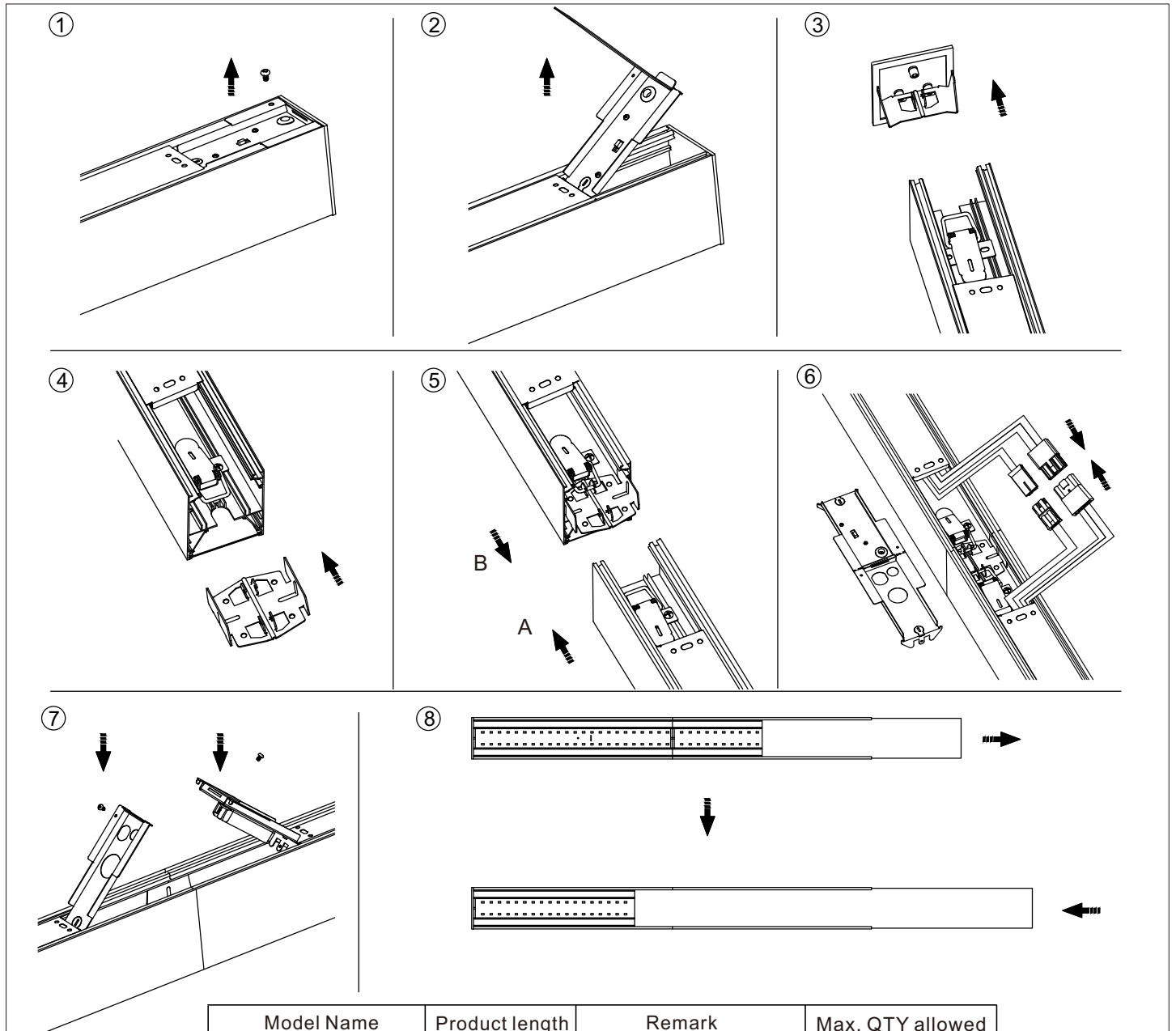
④



⑤

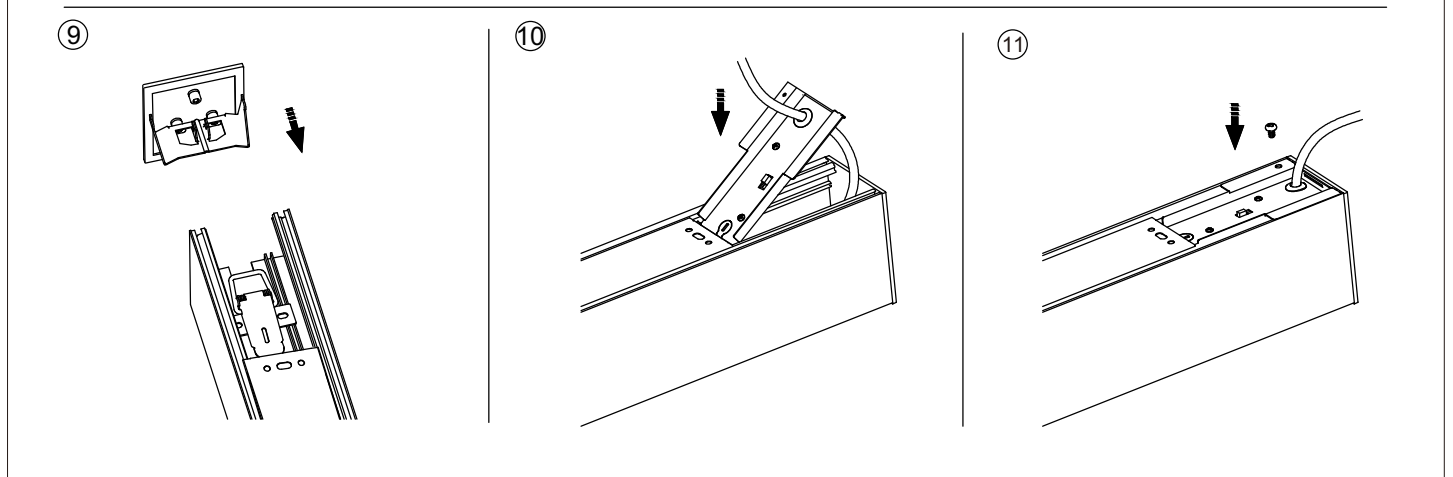


Direct Connection Mounting



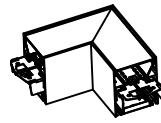
Model Name	Product length	Remark	Max. QTY allowed
LED LR-LIMA-P2 L12	1202mm	Direct lighting	29pcs
LED LR-LIMA-P2 L12	1202mm	Direct & Indirect lighting	20pcs
LED LR-LIMA-P2 L15	1502mm	Direct lighting	25pcs
LED LR-LIMA-P2 L15	1502mm	Direct & Indirect lighting	17pcs

Note: The maximum wattage cannot exceed 600W with one power cable supply.

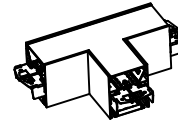


Accessory Connection Mounting

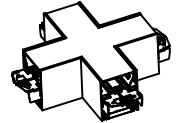
Item Code	Luminaire Description
529098052900*	Lima L-connection-G2-BL
529098053000*	Lima T-connection-G2-BL
529098053100*	Lima X-connection-G2-BL
529098053200*	Lima L-connection-G2-AL
529098053300*	Lima T-connection-G2-AL
529098053400*	Lima X-connection-G2-AL



1X

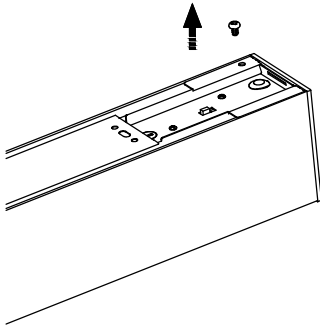


1X

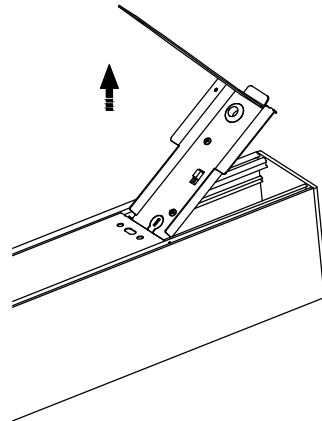


1X

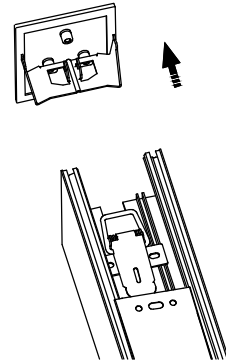
①



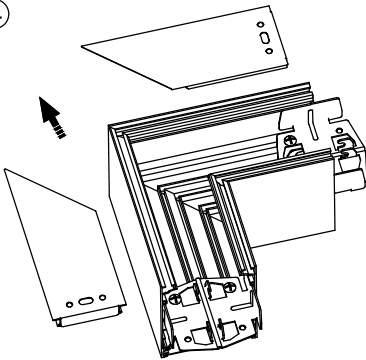
②



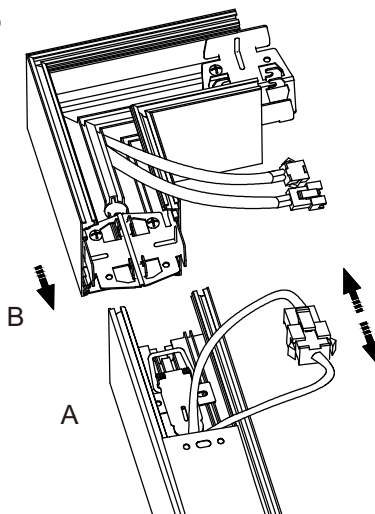
③



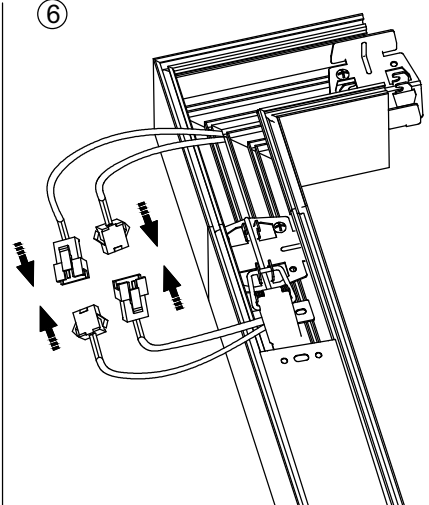
④



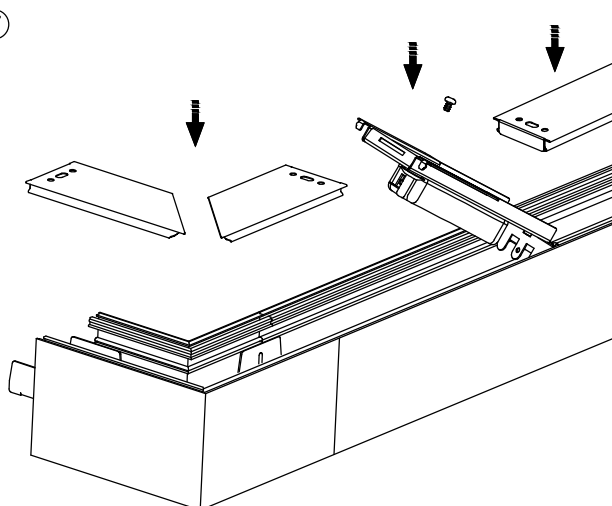
⑤



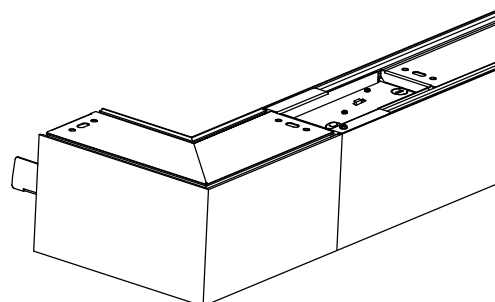
⑥



⑦

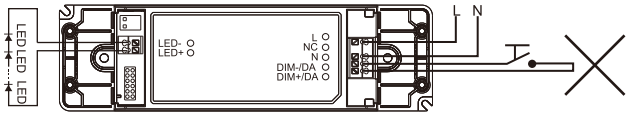


⑧

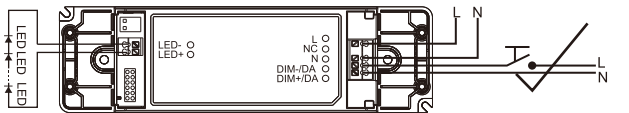


Dali version (Touch Dim Function)

Wrong connection



Good connection



Function	Contact Duration	Reaction
Ignore	<50ms	Nothing
Short Push	50-500ms	Turn on or off
Long Push	>500ms	Dimming up or down
Synchronisation	10s	Go to SYNC level, 50%
	20s	Go to SYNC level, 100%


Touch Dim Terminal Consumption: Typical 3mA(220V).

Warning: The Touch Dim function and DALI function cannot be used at the same time. This may damage the DALI system due to high voltage

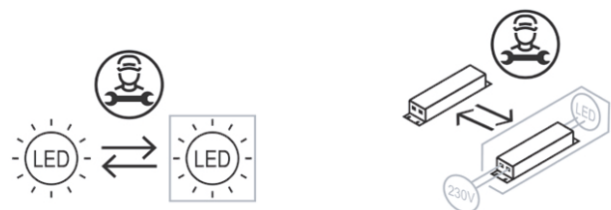
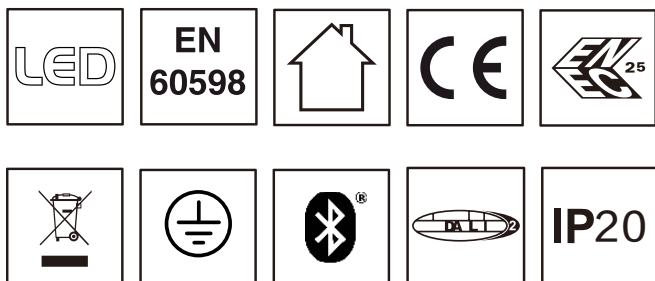
Caution

The luminaire is only suitable for 220–240 V AC supply. It must be basic insulation between FELV and SELV, as is FELV and LV supply for 1-10V and DALI type. The light source contained in this luminaire shall only be replaced by the manufacturer or his service agent or a similar qualified person.

Caution: Any operation on the LED module is strictly forbidden while the power is on. Defective wiring must only be replaced by the manufacturer, distributor, or a qualified technician. Achtung: Arbeiten am LED-Modul sind während des Betriebs strikt verboten. Defekte Leitungen dürfen ausschließlich vom Hersteller, Händler oder einer qualifizierten Fachkraft ausgetauscht werden.



For type Y attachments:
If the external flexible cable or cord of this luminaire is damaged, it shall be exclusively replaced by the manufacturer or his service agent or a similar qualified person in order to avoid a hazard.



Data subject to change
Les données sont sujettes à modifications.
Änderungen vorbehalten

OPPLE Lighting Co., Ltd.
Room 411, Building 1 No. 6111,
Longdong Avenue, Pudong New District,
Shanghai City 201201, P. R. China
www.opple.com

Oppla Lighting B.V.
Meerenakkerweg 1-07
5652 AR Eindhoven
The Netherlands
service@opple.com