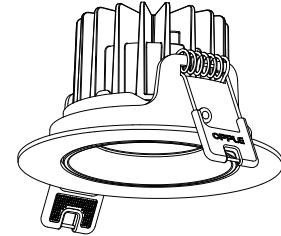


Item Code	Luminaire Description	CCT	kg
540001479400	LEDSpotRA-Sophia 11W-DTW-36D-WH	1800-3000K	0.27kg
540001479500	LEDSpotRA-Sophia 11W-DTW-36D-BL	1800-3000K	0.27kg
540001479600	LEDSpotRA-Sophia 11W-DTW-36D-AL	1800-3000K	0.27kg
540001479700	LEDSpotRA-Sophia 11W-DTW-24D-WH	1800-3000K	0.27kg
540001479800	LEDSpotRA-Sophia 11W-DTW-24D-BL	1800-3000K	0.27kg
540001479900	LEDSpotRA-Sophia 11W-DTW-24D-AL	1800-3000K	0.27kg
540001480000	LEDSpotRA-Sophia 10W-DALI-927/940-36D-WH	2700/3000/4000K	0.287kg
540001480100	LEDSpotRA-Sophia 10W-DALI-927/940-36D-BL	2700/3000/4000K	0.287kg
540001480200	LEDSpotRA-Sophia 10W-DALI-927/940-36D-AL	2700/3000/4000K	0.287kg
540001480300	LEDSpotRA-Sophia 10W-DALI-927/940-24D-WH	2700/3000/4000K	0.287kg
540001480400	LEDSpotRA-Sophia 10W-DALI-927/940-24D-BL	2700/3000/4000K	0.287kg
540001480500	LEDSpotRA-Sophia 10W-DALI-927/940-24D-AL	2700/3000/4000K	0.287kg
540001480600	LEDSpotRA-Sophia 10W-DIM-927/940-36D-WH	2700/3000/4000K	0.295kg
540001480700	LEDSpotRA-Sophia 10W-DIM-927/940-36D-BL	2700/3000/4000K	0.295kg
540001480800	LEDSpotRA-Sophia 10W-DIM-927/940-36D-AL	2700/3000/4000K	0.295kg
540001480900	LEDSpotRA-Sophia 10W-DIM-927/940-24D-WH	2700/3000/4000K	0.295kg
540001481000	LEDSpotRA-Sophia 10W-DIM-927/940-24D-BL	2700/3000/4000K	0.295kg
540001481100	LEDSpotRA-Sophia 10W-DIM-927/940-24D-AL	2700/3000/4000K	0.295kg



A (mm)	B (mm)	C (mm)	D (mm)	H (mm)	Cut-out Ø(mm)
≥100	550	≥185	85	48.5	68

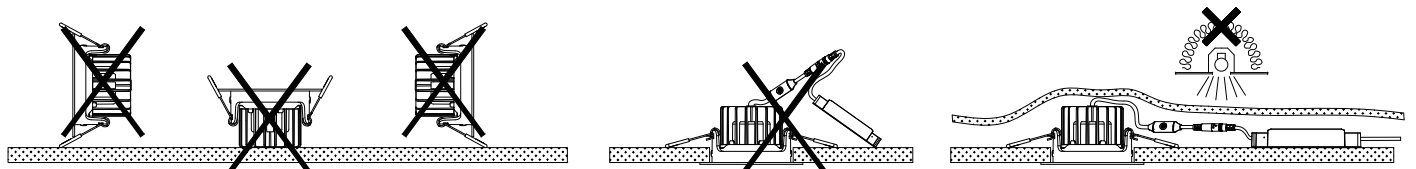
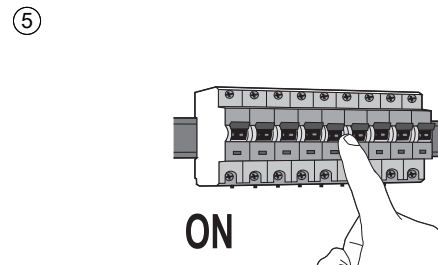
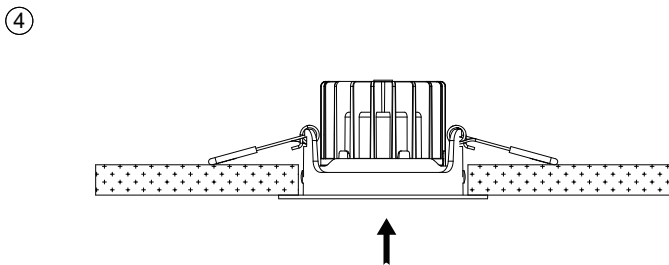
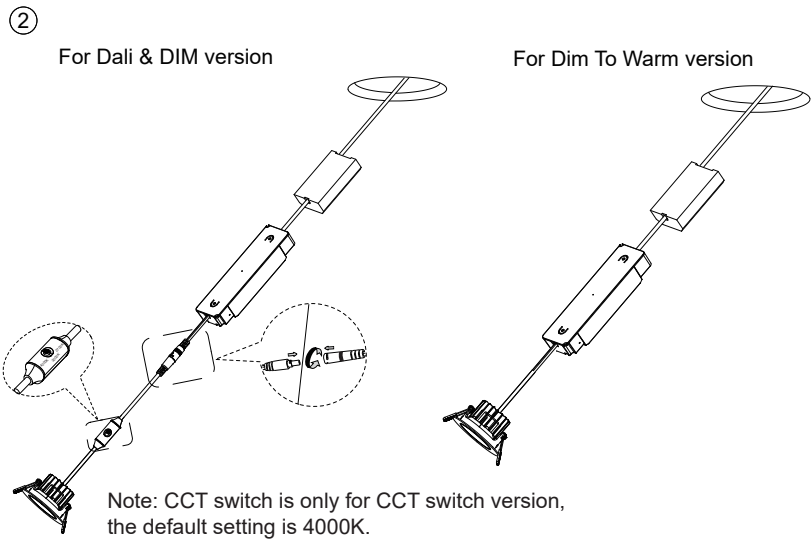
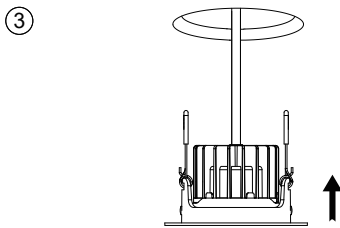
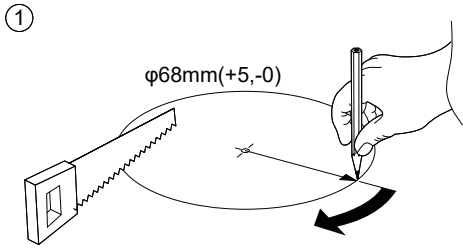
Driver Model	L (mm)	W (mm)	h (mm)
OP-IESCH0120250C1	116	42.5	28
OS-FLS-12-500-D	126	30	25

### Light Source

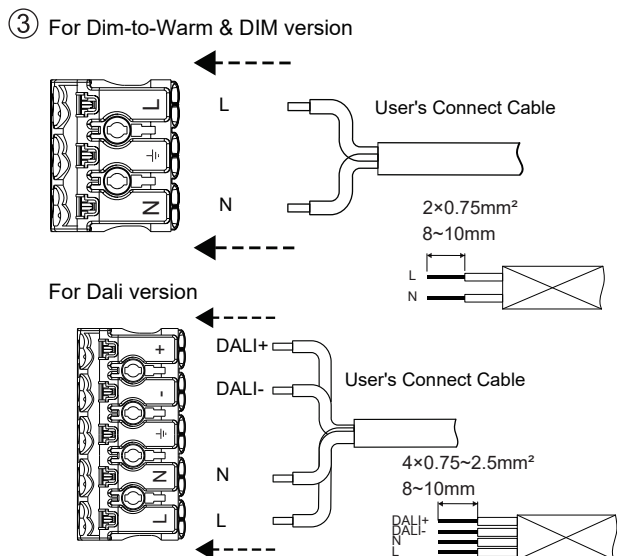
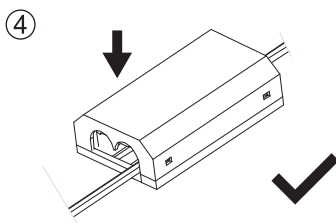
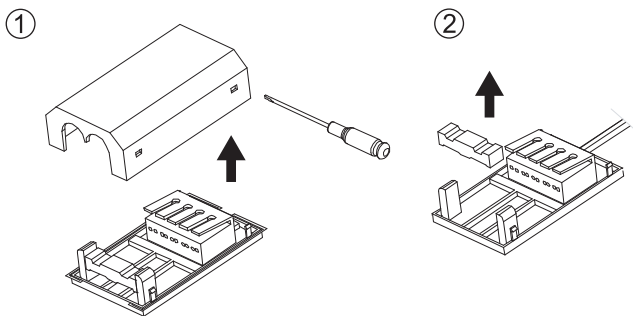
Product Code	Product Description	N	Light Source Code	QR Code	Energy Label
540001479400	LEDSpotRA-Sophia 11W-DTW-36D-WH	1	LS137000936		
540001479500	LEDSpotRA-Sophia 11W-DTW-36D-BL	1			
540001479600	LEDSpotRA-Sophia 11W-DTW-36D-AL	1			
540001479700	LEDSpotRA-Sophia 11W-DTW-24D-WH	1			
540001479800	LEDSpotRA-Sophia 11W-DTW-24D-BL	1			
540001479900	LEDSpotRA-Sophia 11W-DTW-24D-AL	1			
540001480000	LEDSpotRA-Sophia 10W-DALI-927/940-36D-WH	1	LS137000933		
540001480100	LEDSpotRA-Sophia 10W-DALI-927/940-36D-BL	1			
540001480200	LEDSpotRA-Sophia 10W-DALI-927/940-36D-AL	1			
540001480300	LEDSpotRA-Sophia 10W-DALI-927/940-24D-WH	1			
540001480400	LEDSpotRA-Sophia 10W-DALI-927/940-24D-BL	1			
540001480500	LEDSpotRA-Sophia 10W-DALI-927/940-24D-AL	1			
540001480600	LEDSpotRA-Sophia 10W-DIM-927/940-36D-WH	1			
540001480700	LEDSpotRA-Sophia 10W-DIM-927/940-36D-BL	1			
540001480800	LEDSpotRA-Sophia 10W-DIM-927/940-36D-AL	1			
540001480900	LEDSpotRA-Sophia 10W-DIM-927/940-24D-WH	1			
540001481000	LEDSpotRA-Sophia 10W-DIM-927/940-24D-BL	1			
540001481100	LEDSpotRA-Sophia 10W-DIM-927/940-24D-AL	1			

\*Note: This product contains a light source of energy efficiency class (F).

## Recessed Mounting



## Wiring Connection



## Push dimming operation(for Dali versions only)

Action	Action duration	Function
Short push	<0.5s	Turn on/off
Short push twice	<0.5s	LED on: Save current brightness level LED off: Delete saved level and turn on at 100% brightness
Short push five times	<3s	Quit Corridor mode
Long push	0.5-14s	Dimming up or down
Long push	15s-2mins	Sync all LEDs to be 100% brightness
Long push	>2mins	Enter Corridor mode - LED keep 100% brightness for 2mins. Then brightness will turn to be 10% within 32s if no action during 2mins 100% brightness.

### Note:

- 1.The factory default brightness is at 100%.
- 2.Up to 30 drivers can perform the PUSH dimming at the same time when utilizing one common push button.
- 3.The maximum length of the cable from the push button to the last driver is 200 meters.

## Caution

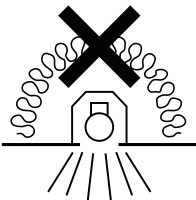


The luminaire is only suitable for safety extra low voltage supply (<50V a.c.; <120V d.c.).  
The controlgear for the luminaire should be SELV.

Basic insulation must be provided between FELV and SELV, as well as between FELV and LV supplies for 1–10 V and DALI systems.

Caution: Any operation on LED module is forbidden while powered on.

Do not modify the luminaire by unqualified person. Installation and maintenance must be carried out by a qualified electrician



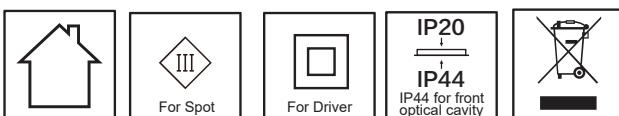
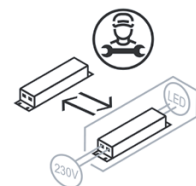
For type Y attachments:

if the external flexible cable or cord of this luminaire is damaged, it shall be exclusively replaced by the manufacturer or his service agent or a similar qualified person in order to avoid a hazard.

For non-user replaceable light sources:

The light source contained in this luminaire shall only be replaced by the manufacturer or his service agent or a similar qualified person.

Luminaires not suitable for covering with thermally insulating material.



Data subject to change  
Les données sont sujettes à modifications  
Änderungen vorbehalten

OPPLE Lighting Co., Ltd.  
Room 411, Building 1 No. 6111,  
Longdong Avenue, Pudong New District,  
Shanghai City 201201, P. R. China  
www.opple.com

Opplle Lighting B.V.  
Meerenakkerweg 1-07  
5652 AR Eindhoven  
The Netherlands  
service@opple.com