

Spot Performer 3C Compact G2

- High performance compact track spot with high luminous efficacy and homogeneous light distribution
- Integrated in-track driver with a 4-step DIP switch for simple power selection
- Fitting common Global/Nordic Aluminum® 3C Tracks - and many other standard types



Specifications

| Item Code | Item Description | Equivalent to (W) | Power (W) | Lumen (lm) | Efficacy (lm/W) | CCT (K) | RAL-Number | Net Weight (kg/pc) |
|--------------|-------------------------------|-------------------|-----------|------------|-----------------|---------|------------|--------------------|
| 568001032100 | LEDspot3C-C-P2 30W-930-36D-BL | HID 50W | 30 | 4050 | 135 | 3000 | 9004 | 0.599 |

Packaging information

| Item | | | Box | | | |
|--------------|-------------------------------|------------|-------------------------|----------------------|---------------|--------|
| Item Code | Item Description | EU HS Code | Dimensions (mm) (LxWxH) | Gross Weight (kg/pc) | EAN | pc/box |
| 568001032100 | LEDspot3C-C-P2 30W-930-36D-BL | 94051190 | 163x84x212 | 0.67 | 6937209609434 | 1 |

Technical Specifications

| | |
|------------------------------------|-------------|
| Lifetime (L70) | 70,000 h |
| Lifetime (L80) | 50,000 h |
| On-/Off-cycles | 100,000 |
| Colour consistency (SDCM) | 4 |
| Dimmability | On-Off |
| Beam angle | 36 ° |
| Maximum tilt angle | 85 ° |
| Finishing | Matte Black |
| Colour rendering index (CRI) | > 90 |
| Impact strength (IK) | IK03 |
| Protection class | II |
| Risk group (EN 62471) | RG1 |
| With control gear | True |
| Glow wire test | 650 °C |
| Driver failure rate (at 5,000 hrs) | ≤ 1 % |
| Power factor | ≥ 0.9 |

Electrical Supply

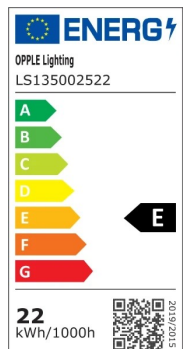
| | |
|------------------|--|
| Frequency | 50 - 60 Hz |
| Nominal voltage | 220 - 240 V |
| DC input voltage | See catalogue appendix Connection Specifications |

Mechanical Properties

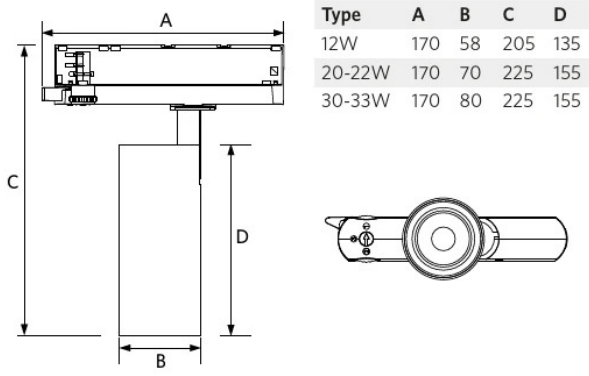
| | |
|------------------|---------------|
| Housing material | Aluminium |
| Optical material | Polycarbonate |
| Lens material | Polycarbonate |

Ambient Conditions

| | |
|-------------------------|-------------|
| Operating temperature | -10 - 35 °C |
| Application temperature | 25 °C |
| Storage environment | -25 - 50 °C |



Dimensional Drawing (mm)



Photometric Data

