

Smart Sensor (Passive Infrared)

- Compact Bluetooth® presence detector for use in OPPLE Smart Lighting System
- Large detection area of Ø 10m
- Recommended mounting height 2-3,5m
- Suitable for the OPPLE Smart Daylight regulation
- Very easy to set up with the OPPLE Smart Lighting App, or Smart Connect Box through the web user interface
- Including temperature- and humidity sensors
- Complete wireless communication via future-proof, standardized Bluetooth® Low Energy (BLE) SIG Mesh protocol



Specifications

Item Code	Item Description	Sensor range
821006002000	LEDSmart-BLE2-Rc-PIR-Sensor	10m

Accessories



560098000600
LEDSmart-Sensor Surface-Module-WH

Technical Specifications	
IP-class	IP20
IK-class	IK02
Finishing	White RAL9003
Communication	Opplé Bluetooth® Low Energy SIG Mesh (BLE2)
Protection Class	II
Detection diameter (when installed at 2-3.5m height)	Max Ø 10m Max Ø 5m when sitting
Detection angle	360°
Detection technology	Passive Infrared (PIR)
Switch-off delay time	5s-60min
Daylight balance	Yes
Temperature sensor	Yes
Humidity sensor	Yes

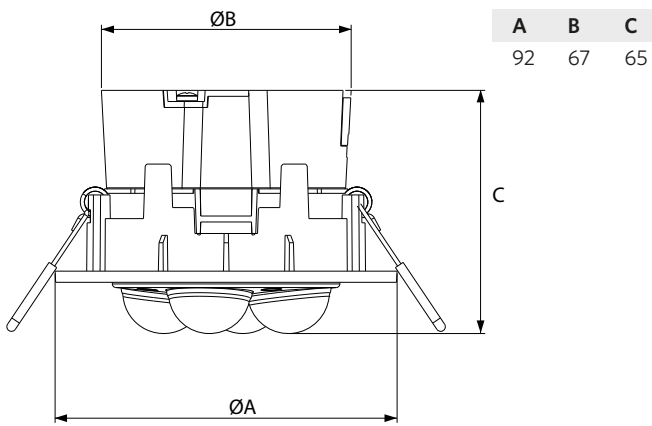
Electrical Supply	
Power consumption	1.2W
Nominal voltage	220-240 V AC
Frequency	50/60 Hz

Mechanical Properties	
Material housing	PC

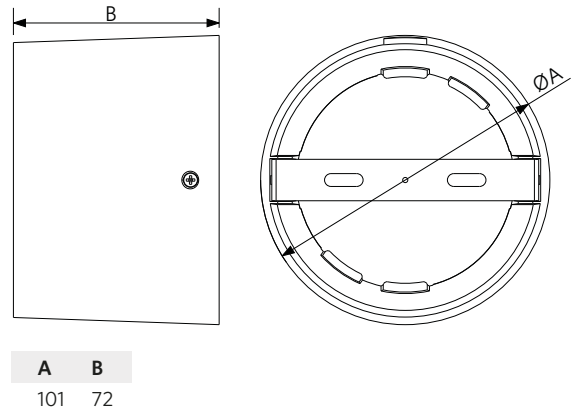
Ambient conditions	
Operating Temperature	-25-+30°C



Dimensional drawing (mm)

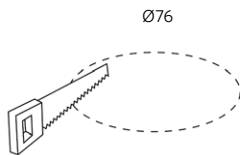


821006002000 - LEDSmart-BLE2-Rc-PIR-Sensor



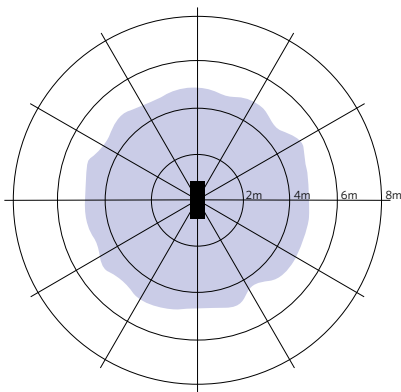
560098000600 - LEDSmart-Sensor Surface-Module-WH

Installation opening drawing (mm)



821006002000 - LEDSmart-BLE2-Rc-PIR-Sensor

Detection range



Installation - Low Ceiling
Suggested installation height 2-3m