



Spot Chiara

- Recessed LED spot with 25° tilting angle
- Clean beam thanks to newly designed micro faceted reflector
- Light free of multiple shadows for professional accent lighting
- Available in 2700K, 3000K and 4000K
- Universal cut-out of 68mm
- IP44 on the light emitting side
- Available in matte white (WH) and brushed aluminium (AL) finishes
- Upgraded 9W version with Triac dimming and high CRI



Specifications

Item Code	Item Description	Equivalent to (W)	Power (W)	Lumen	Efficacy (lm/W)	CCT (K)	CRI	Net Weight (kg/pc)
On-Off								
541003410800	LEDSpotRA-Chiara-E 6W-827-36D-AL	Halogen 35W	6	450	75	2700	> 80	0.085
541003414200	LEDSpotRA-Chiara-E 6W-830-36D-AL	Halogen 35W	6	450	75	3000	> 80	0.085
541003411000	LEDSpotRA-Chiara-E 6W-840-36D-AL	Halogen 35W	6	480	80	4000	> 80	0.085
541003410900	LEDSpotRA-Chiara-E 6W-827-36D-WH	Halogen 35W	6	450	75	2700	> 80	0.085
541003414300	LEDSpotRA-Chiara-E 6W-830-36D-WH	Halogen 35W	6	450	75	3000	> 80	0.085
541003411100	LEDSpotRA-Chiara-E 6W-840-36D-WH	Halogen 35W	6	480	80	4000	> 80	0.085
Dimmable (Triac)								
541003589000	LEDSpotRA-Chiara-E 9W-DIM-927-36D-AL	Halogen 50W	9	675	75	2700	> 90	0.12
541003589200	LEDSpotRA-Chiara-E 9W-DIM-930-36D-AL	Halogen 50W	9	675	75	3000	> 90	0.12
541003589400	LEDSpotRA-Chiara-E 9W-DIM-940-36D-AL	Halogen 50W	9	720	80	4000	> 90	0.12
541003589100	LEDSpotRA-Chiara-E 9W-DIM-927-36D-WH	Halogen 50W	9	675	75	2700	> 90	0.12
541003589300	LEDSpotRA-Chiara-E 9W-DIM-930-36D-WH	Halogen 50W	9	675	75	3000	> 90	0.12
541003589500	LEDSpotRA-Chiara-E 9W-DIM-940-36D-WH	Halogen 50W	9	720	80	4000	> 90	0.12

Accessories



821017003600
LEDSmart-BLE2-Relay-
250W-DIM

542098030700
Junction-Box-WH

Technical Specifications	
Lifetime (L70)	50,000 h
Lifetime (L80)	30,000 h
On-/Off-cycles	100,000
Colour consistency (SDCM)	4.0
Dimmability	On-Off / Triac
Beam angle	36°
Maximum tilt angle	25°
Finishing	Brushed Aluminum / Matte White
Ingress protection front side (IP)	IP44
Ingress protection recessed part (IP)	IP20
Impact strength (IK)	IK02
Protection class	II
Risk group (EN 62471)	RG1
With control gear	Yes
Glow wire test	650°C
Driver failure rate (at 5,000 hrs)	< 1.0%
Displacement factor (DF)	0.9

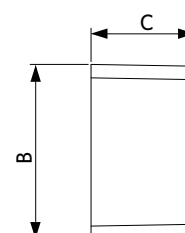
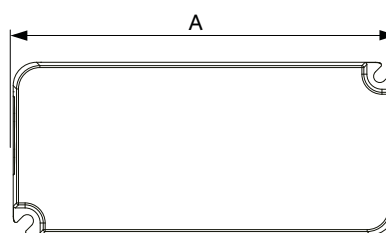
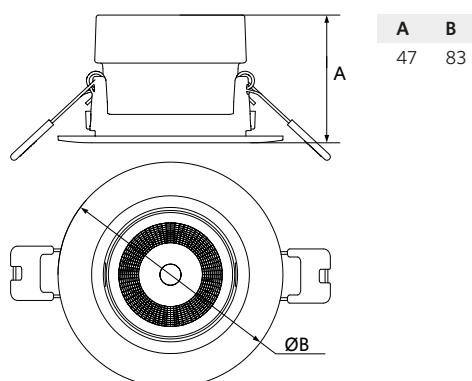
Electrical Supply	
Frequency	50 - 60 Hz
Nominal voltage	220 - 240 V
DC input voltage	No / See catalogue appendix Connection Specifications
230V Cable length	0.3 m

Mechanical Properties	
Housing material	Plastic
Optical material	Polycarbonate

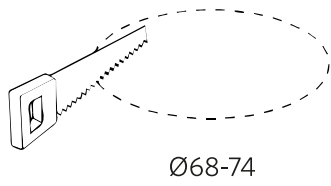
Ambient Conditions	
Operating temperature	-10 ~ 40°C
Application temperature	25°C
Storage environment	-25 ~ 50°C



Dimensional Drawing (mm)



Installation Opening Drawing (mm)



Product Highlights

