



Downlight EcoMax HG

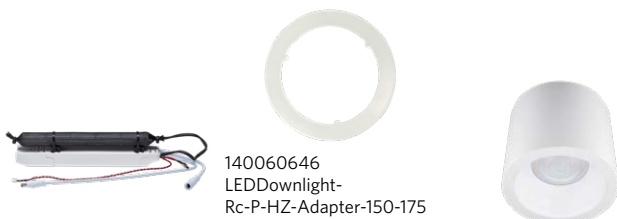
- High quality LED Downlight with high Efficacy up to 120 lm/W
- 10 and 20W versions suitable for office lighting (UGR<19)
- Integrated CCT switch for color selection (3000K-4000K)
- Available in cut-out of 150mm and 200mm
- Unique optical lens concept with high gloss (HG) reflector and low glare
- IP54 on light emitting side
- Available in Triac and DALI2 dimming
- DALI2 driver compatible with 230V push dimming



Specifications

Item Code	Item Description	Equivalent to (W)	Power (W)	Lumen	Efficacy (lm/W)	UGR	CCT (K)	Net Weight (kg/pc)
Dimmable (Triac)								
540001409600	LEDDownlightHG-E Rd150-10W-DIM-830/840	CFL 1x18W	10	1200	120	19	3K/4K	0.4
540001409700	LEDDownlightHG-E Rd200-20W-DIM-830/840	CFL 1x26W	20	2400	120	19	3K/4K	0.85
540001409800	LEDDownlightHG-E Rd200-30W-DIM-830/840	CFL 2x32W	30	3600	120	22	3K/4K	0.85
540001409900	LEDDownlightHG-E Rd200-40W-DIM-830/840	HID 70W	40	4800	120	22	3K/4K	0.85
DALI2								
540001410000	LEDDownlightHG-E Rd150-10W-DALI-830/840	CFL 1x18W	10	1200	120	19	3K/4K	0.4
540001410100	LEDDownlightHG-E Rd200-20W-DALI-830/840	CFL 1x26W	20	2400	120	19	3K/4K	0.85
540001410200	LEDDownlightHG-E Rd200-30W-DALI-830/840	CFL 2x32W	30	3600	120	22	3K/4K	0.85
540001410300	LEDDownlightHG-E Rd200-40W-DALI-830/840	HID 70W	40	4800	120	22	3K/4K	0.85

Accessories



542098000800 LEDPanelRC-SI U19 EM-kit 1h	140060646 LEDDownlight-Rc-P-HZ-Adapter-150-175	540098018300 LEDDownlight-P-Surface-Module-Rd150
542098000900 LEDPanelRC-SI U19 EM-kit 3h	140060647 LEDDownlightRc-P-SI-E-Adapter-200-225	540098018400 LEDDownlight-P-Surface-Module-Rd200
	140060648 LEDDownlightRc-P-SI-E-Adapter-200-250	

Technical Specifications	
Lifetime (L70)	70,000 h
Lifetime (L80)	50,000 h
On-/Off-cycles	100,000
Colour consistency (SDCM)	4
Dimmability	Triac / DALI2
Beam angle	70°
Finishing	White RAL9003
RAL-Number	□ 9003
Colour rendering index (CRI)	> 80
Ingress protection front side (IP)	IP54
Ingress protection recessed part (IP)	IP20
Impact strength (IK)	IK03
Protection class	II
Risk group (EN 62471)	RG1
With control gear	Yes
Glow wire test	650°C
Driver failure rate (at 5,000 hrs)	< 1%
Power factor	> 0.9

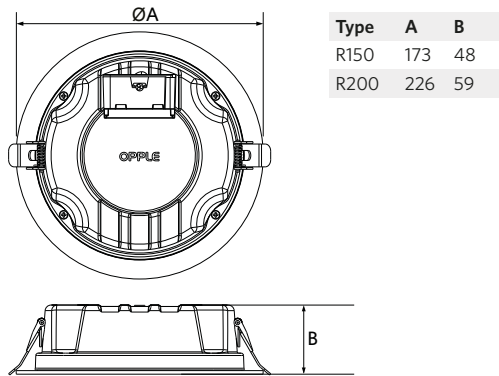
Electrical Supply	
Frequency	50 - 60 Hz
Nominal voltage	220 - 240 V
DC input voltage	No / See catalogue appendix Connection Specifications
230V Cable length	0.3 m

Mechanical Properties	
Housing material	Aluminium
Optical material	Polycarbonate

Ambient Conditions	
Operating temperature	-10 - 45°C
Application temperature	25°C
Storage environment	-25 - 50°C



Dimensional Drawing (mm)



Installation Opening Drawing (mm)

