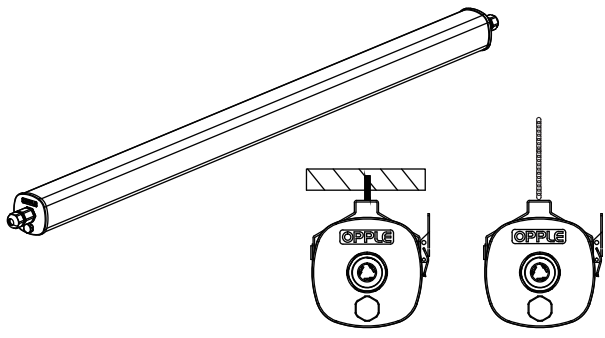
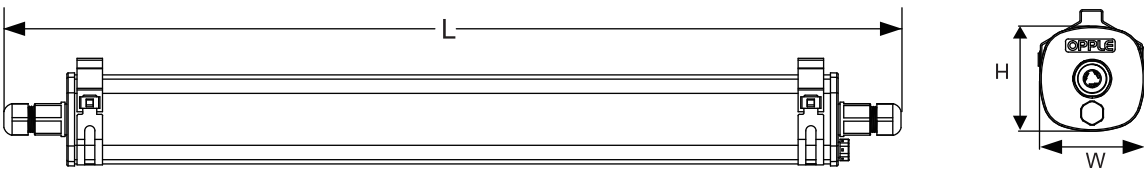


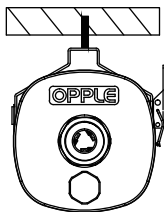
## LED Waterproof Special

Item Code	CCT	kg
543022021100	4000K	1.705kg
543022021200	4000K	1.705kg
543022021300	4000K	1.98kg
543022021400	4000K	1.98kg

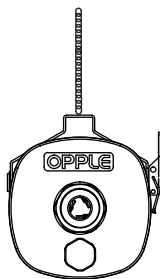



Model	L (mm)	W (mm)	H (mm)	F (mm)	Rated Voltage	Frequency	Rated Power	Max total luminaires connected using external 1.5mm <sup>2</sup> wire	Max total luminaires connected using external 2.5mm <sup>2</sup> wire
LED WP-SE L1250-24W	1286	73	73	22	220-240V~	50/60Hz	24W	26	45
LED WP-SE L1250-45W	1286						45W	13	21
LED WP-SE L1550-34W	1566						34W	17	30
LED WP-SE L1550-54W	1566						54W	9	16

### Installation

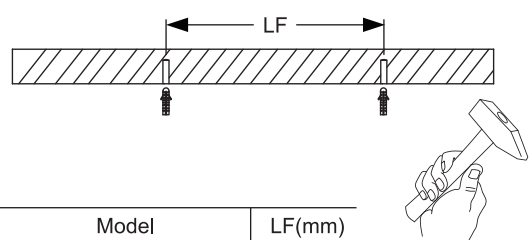


Surface Mounting



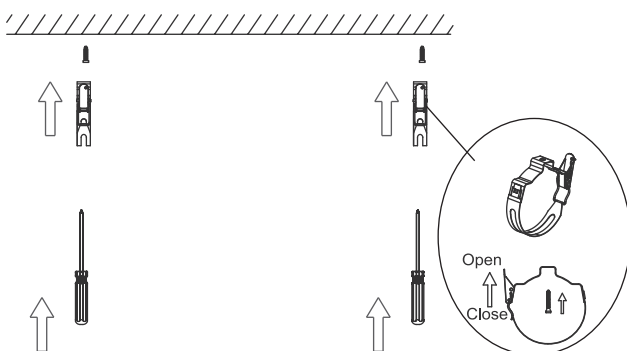
Suspension Mounting

①

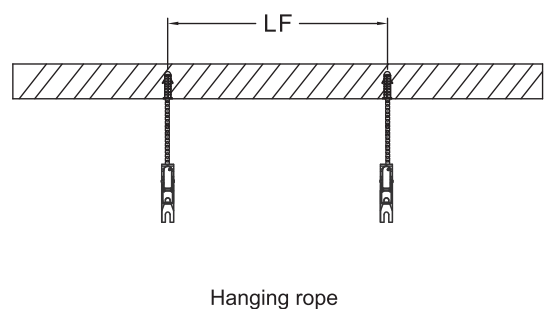


Model	LF(mm)
LED WP-SE L1250-24W	Variabel
LED WP-SE L1250-45W	Variabel
LED WP-SE L1550-34W	Variabel
LED WP-SE L1550-54W	Variabel

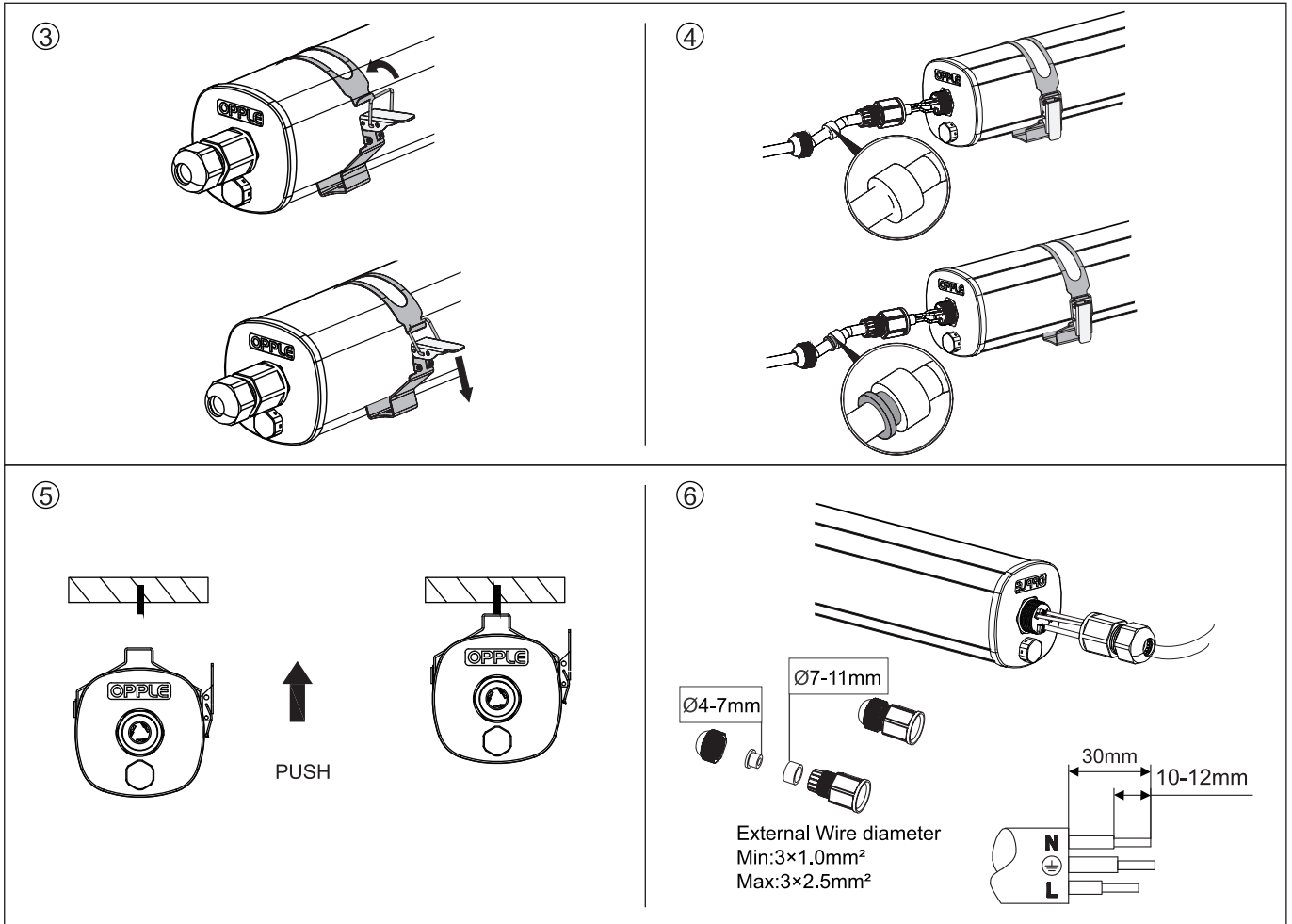
② Surface Mounting



② Suspension Mounting

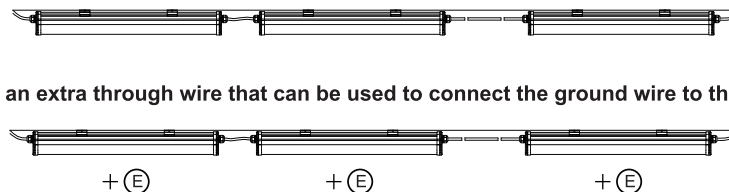


Hanging rope



### LUMINAIRE IS ELECTRICAL PROTECTION CLASS I

The luminaire is equipped with an extra through wire that can be used to connect the ground wire to the end of the line



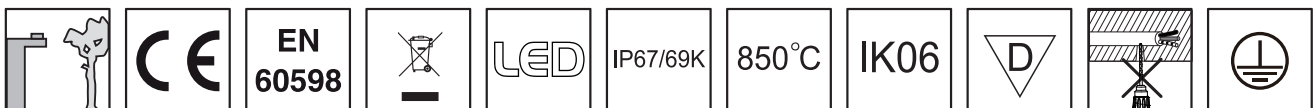
Caution: Any operation on LED module is forbidden while power-on.  
Zur Vermeidung von Risiken müssen defekte Leitungen ausschließlich vom Hersteller, Inverkehrbringer oder Fachmann ausgetauscht werden.  
Achtung: In Betrieb ist keine Arbeit am LED-Modul erlaubt.



For non-user replaceable light sources:  
The light source contained in this luminaire shall only be replaced by the manufacturer or his service agent or a similar qualified person.  
Das Leuchtmittel dieser Leuchte ist nicht austauschbar. Wenn das Leuchtmittel das Ende seiner Lebensdauer erreicht hat, muss die gesamte Leuchte ersetzt werden.



For use in environments where normal non-conductive/conductive dust accumulation may be expected, not for use in environments with expected high/unusual dust accumulation.



OPPLE Lighting B.V.  
Meerenakkerweg 1.11  
5652 AR Eindhoven  
The Netherlands  
service@opple.com  
www.opple.com