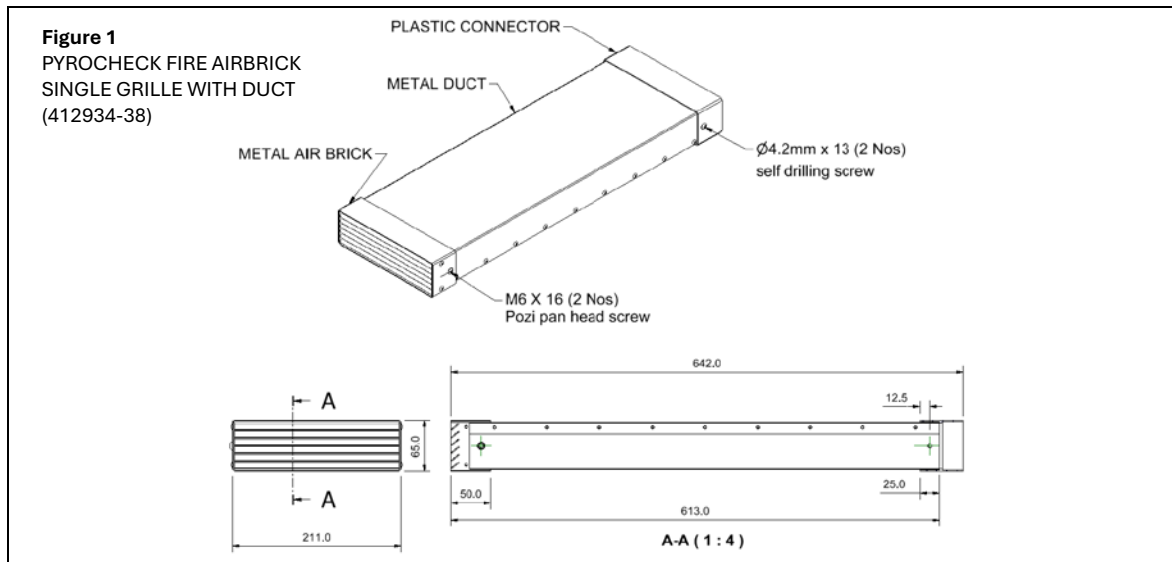


# Vent-Axia®

## INSTALLATION INSTRUCTIONS PYROCHECK FIRE AIRBRICK SINGLE AND DOUBLE GRILLE

### INSTALLATION

- Handle units with care to avoid paint damage around the grilles.
- Use the provided M6 x 16 screws to connect the Airbrick to the duct in a single grille, and the Airbrick to the metal adaptor in a double grille. Apply a suitable intumescent sealant between the joints. This also applies to the metal adaptor and duct joint in a double grille. See Figures 1-4.
- Connect the duct and plastic adaptor with the provided Ø4.2mm x 13 self-drilling screw after applying suitable intumescent sealant. See Figures 1-4.
- Ensure the ducting is supported during installation so it slopes towards the outside for proper water drainage.
- Fire-seal the metal air brick to the inner wall.
- Fill all unused fixing holes in the metal air bricks and accessories with intumescent sealant to prevent air leakage.



## Vent-Axia®

Head Office: Fleming Way, Crawley, West Sussex, RH10 9YX.

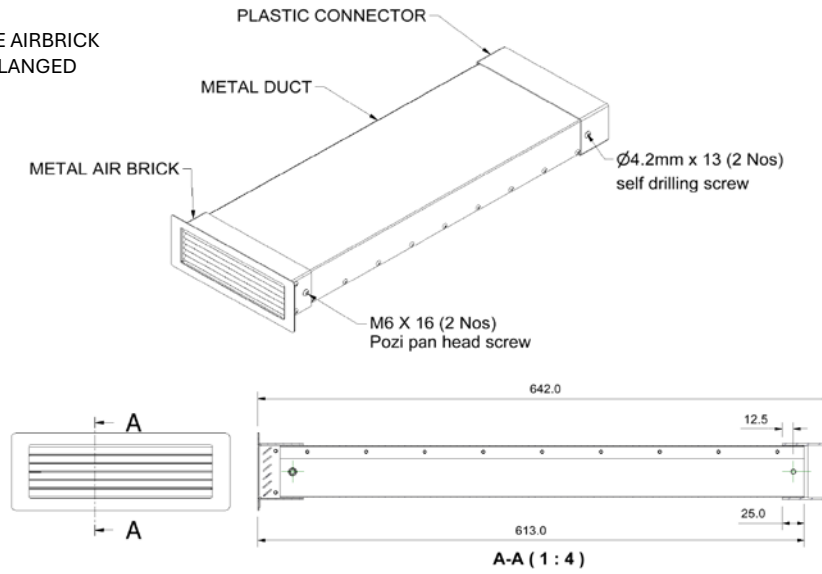
EU Authorised Representative: Vent-Axia Sigarenmaker 5 - 5521DJ Eersel Nederland [authorisedrep@vent-axia.nl](mailto:authorisedrep@vent-axia.nl)

### UK NATIONAL CALL CENTRE

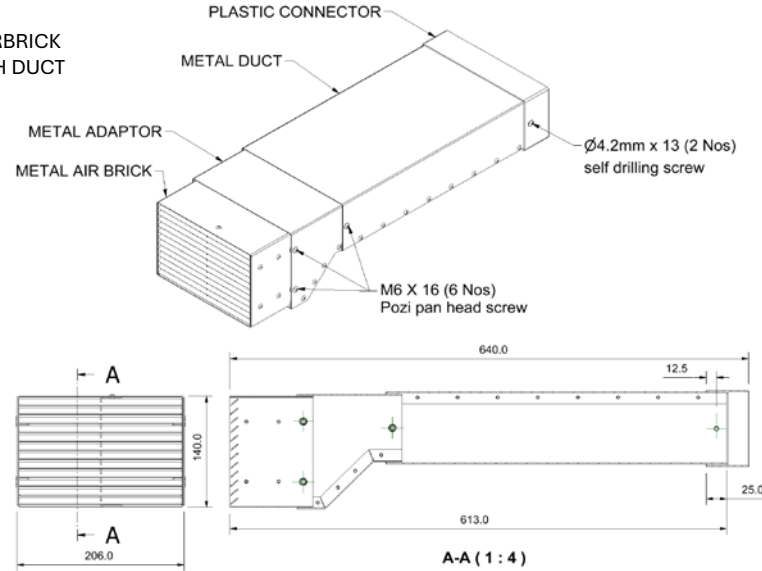
SALES ENQUIRIES: Tel: 0344 8560590 Email: [sales@vent-axia.com](mailto:sales@vent-axia.com)  
TECHNICAL SUPPORT: Tel: 0344 8560594 Email: [tech@vent-axia.com](mailto:tech@vent-axia.com)

For details of the warranty and returns procedure please refer to [www.vent-axia.com](http://www.vent-axia.com) or write to Vent-Axia, Fleming Way, Crawley, RH10 9YX

**Figure 2**  
 PYROCHECK FIRE AIRBRICK  
 SINGLE GRILLE FLANGED  
 WITH DUCT  
 (412944-48)



**Figure 3**  
 PYROCHECK FIRE AIRBRICK  
 DOUBLE GRILLE WITH DUCT  
 (412939-43)



**Figure 4**  
 PYROCHECK FIRE AIRBRICK  
 DOUBLE GRILLE FLANGED  
 WITH DUCT  
 (412949-53)

