

## Installation and Wiring Instructions for the 2-Speed Control Switch.



**IMPORTANT:**  
READ THESE INSTRUCTIONS BEFORE COMMENCING INSTALLATION.

DO NOT install this product in areas where the following may be present or occur.

- Excess oil or grease laden atmosphere.
- Corrosive or flammable gases, liquids or vapours.
- Ambient temperatures higher than 40°C or less than -5°C.
- Relative humidity above 95%.

### SAFETY AND GUIDANCE NOTES

- All wiring must be in accordance with the current I.E.E. Regulations, or the appropriate standards of your country.
- The Control Switch should be provided with a local double pole isolator switch having a contact separation of at least 3mm.
- Ensure that the mains supply (Voltage, Frequency and Phase) complies with the rating label.
- The Control Switch should only be used in conjunction with the appropriate Vent-Axia products.
- It is recommended that the connection to the terminal box be made with flexible cable/conduit.
- The Control Switch should not be sited within 600mm horizontally of/or 2250mm vertically of a bath/shower tray, in accordance with the current I.E.E. Regulations for bathrooms.
- This Control Switch should not be used where it is liable to be subject to direct water spray from hoses etc.

### INSTALLATION.

The Control Switch is designed to fit into a standard Surface or Recessed 2 Gang Back Box, this should be fitted in accordance with the manufacturers recommendations.

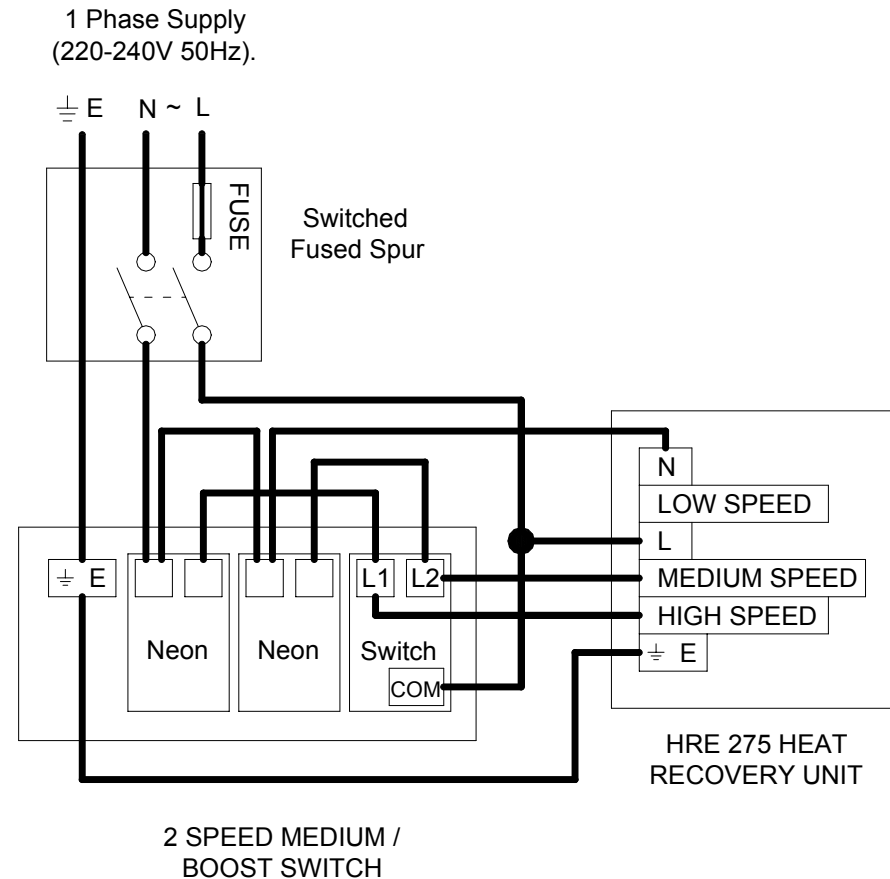
### WIRING INSRUCTIONS



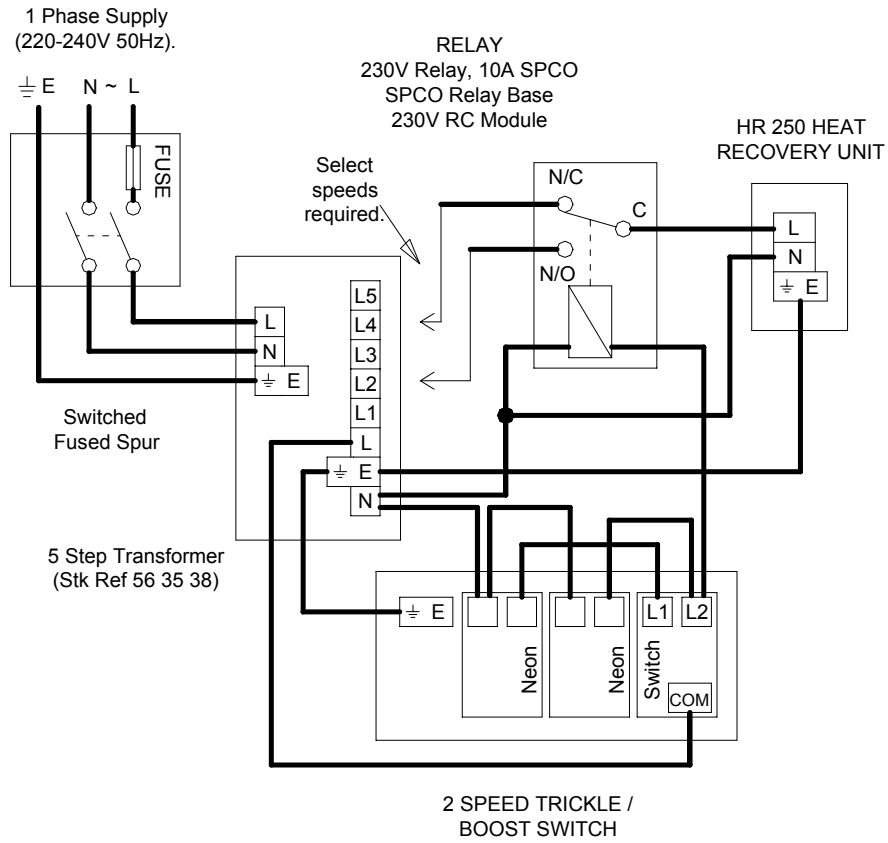
**WARNING: THE FAN AND CONTROL SWITCH MUST BE ISOLATED FROM THE POWER SUPPLY DURING THE INSTALLATION / MAINTENANCE.**  
**THE CONTROL SWITCH MUST BE EARTHED.**

1. Select and follow the appropriate wiring diagram (Figs. 1-2).
2. Check that all connections have been made correctly. Ensure that all terminal screws and cable clamps are securely fastened.
3. The cable entry must be made using a suitable grommet or cable gland.
4. Switch the mains supply on and check the system is operating correctly.

**Fig. 1.**  
**2 SPEED CONTROL SWITCH**  
**CONNECTED TO A HRE 275 HEAT RECOVERY UNIT.**



**Fig. 2.**  
**2 SPEED CONTROL SWITCH**  
**CONNECTED TO A HR 250 HEAT RECOVERY UNIT.**



## VENT-AXIA SALES CENTRES

### ENGLAND & WALES NATIONAL CALL CENTRE

Newton Road, Crawley  
West Sussex  
RH10 9JA

Telephone: 01293 530202  
Fax: 01293 565169

### NORTHERN IRELAND

Telephone: 02890 402220  
Fax: 01293 565169

### SCOTLAND

Telephone: 0141 429 1166  
Fax: 01293 565169

### REPUBLIC OF IRELAND

Vent-Axia Ventilation Ltd.  
921 Western Industrial Estate  
Naas Road, Dublin 12.

Telephone: (01) 450 4133  
Fax: (01) 450 4570

Did you find these instructions easy to use?

We value your comments, contact us via:

email: [info@vent-axia.com](mailto:info@vent-axia.com)

## The Vent-Axia Guarantee

Applicable only to products installed and used in the United Kingdom. For details of the guarantee outside the United Kingdom contact your local supplier.

Vent-Axia guarantees its products for two years from the date of purchase against faulty material or workmanship. In the event of any part being found to be defective, the product will be repaired, or at the Company's opinion replaced, without charge, provided that the product:

- 1) has been installed and used in accordance with the instructions given with each unit.
- 2) has not been connected to an unsuitable electricity supply (The correct electricity supply voltage is shown on the product rating label attached to the unit).
- 3) has not been subjected to misuse, neglect or damage.
- 4) has not been modified or repaired by any person not authorised by the Company.

### IF CLAIMING UNDER THE TERMS OF THE GUARANTEE

please return the complete product, carriage paid to your original supplier or nearest Vent-Axia Centre, by post or in person. Please ensure that it is adequately packed and accompanied by a letter clearly marked 'Guarantee Claim' stating the nature of the fault and providing proof of date and source of purchase.

As part of the policy of continuous product improvement Vent-Axia reserve the right to alter specifications without notice.

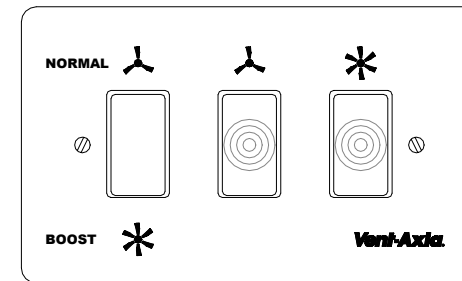
## Vent-Axia.

Head Office: Fleming Way, Crawley, West Sussex RH10 9YX  
Tel: 01293 526062 Fax: 01293 551188  
Internet site at: [www.vent-axia.com](http://www.vent-axia.com)

# Vent-Axia®

## 2 SPEED CONTROL SWITCH

### Installation and Wiring Instructions



Stock Ref. N°  
45 97 46

## 220-240V/1/50Hz

READ INSTRUCTIONS IN CONJUNCTION WITH ILLUSTRATIONS  
READ AND SAVE THESE INSTRUCTIONS

