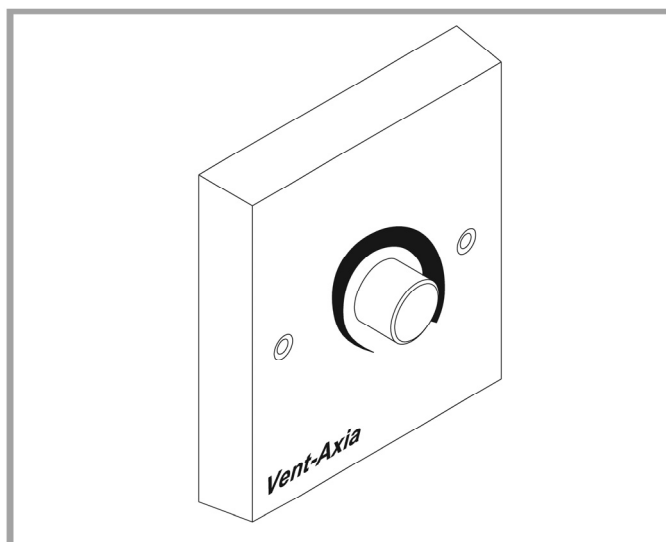


TSLC1 Controller



Stock Ref. N°
42 63 32

0-10V D.C

Vent-Axia[®]

PLEASE READ INSTRUCTIONS IN CONJUNCTION WITH ILLUSTRATIONS.
PLEASE SAVE THESE INSTRUCTIONS.

CE

Installation and Wiring Instructions for the TSLC1 Controller.



**IMPORTANT:
READ THESE INSTRUCTIONS BEFORE COMMENCING
INSTALLATION.**

DO NOT install this product in areas where the following may be present or occur.

- Excess oil or grease laden atmosphere.
- Corrosive or flammable gases, liquids or vapours.
- Ambient temperatures higher than 40°C or less than -5°C.
- Relative humidity above 95%.

SAFETY AND GUIDANCE NOTES

- A.**All wiring must be in accordance with the current I.E.E. Regulations, or the appropriate standards of your country.
- B.**Ensure that the mains supply (Voltage, Frequency and Phase) to the D.C. Powerpack for the LoWatt fan complies with the rating label.
- C.**The Controller should only be used in conjunction with the appropriate Vent-Axia products.
- D.**It is recommended that the connection to the controller back box (by others) be made with flexible cable/conduit.
- E.**This Controller should not be used where it is liable to be subject to direct water spray from hoses etc.

INSTALLATION.

The Controller is designed to fit into a standard Surface or Recessed single Gang Back Box and should be fitted in accordance with the manufacturer's recommendations.

WIRING INSTRUCTIONS

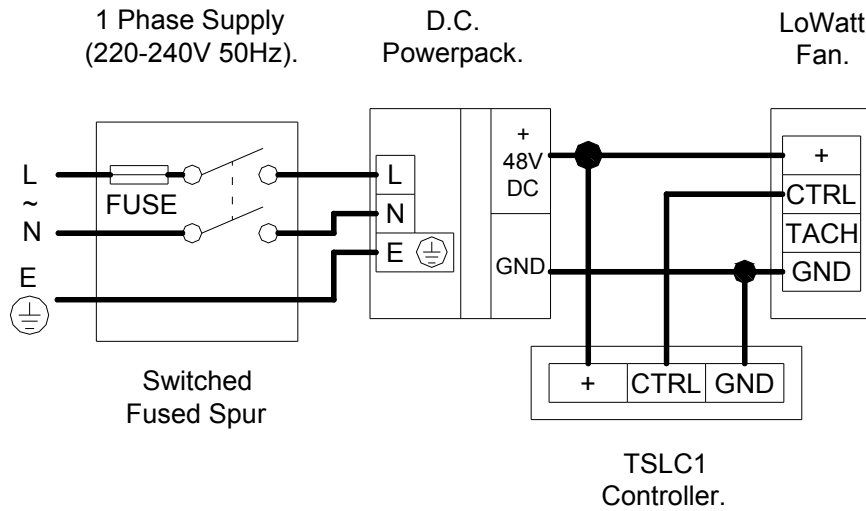


WARNING: THE FAN AND CONTROLLER MUST BE ISOLATED FROM THE POWER SUPPLY DURING THE INSTALLATION / MAINTENANCE.

1. Refer to figure 1 or 2 for the wiring details.
2. Check that all connections have been made correctly. Ensure that all terminal screws and cable clamps are securely fastened.
3. The cable entry must be made using a suitable grommet or cable gland.
4. Switch the supply on and check the system is operating correctly.

Fig. 1.

TSLC1 CONTROLLER CONNECTED TO A SINGLE FAN



TSLC1 CONTROLLER CONNECTED TO A SENTINEL UNIT

Fig. 2.

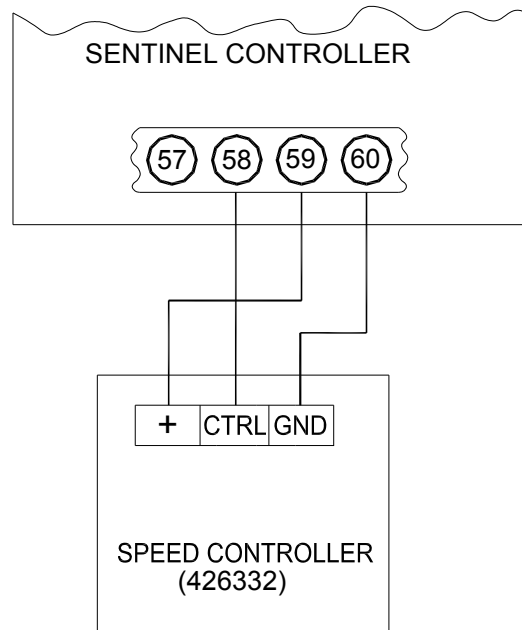


Fig. 2. REMOTE SPEED CONTROL CONNECTION TO SENTINEL CONTROLLER



Note: The controller is designed to provide infinitely variable fan speed control and does not provide an On/Off switch facility.

The **Vent-Axia** Guarantee

Applicable only to products installed and used in the United Kingdom. For details of guarantee outside the United Kingdom contact your local supplier.

Vent-Axia guarantees its products for two years from date of purchase against faulty material or workmanship. In the event of any part being found to be defective, the product will be repaired, or at the Company's option replaced, without charge, provided that the product:-

- Has been installed and used in accordance with the instructions given with each unit.
- Has not been connected to an unsuitable electricity supply. (The correct electricity supply voltage is shown on the product rating label attached to the unit).
- Has not been subjected to misuse, neglect or damage.
- Has not been modified or repaired by any person not authorised by the company.

IF CLAIMING UNDER TERMS OF GUARANTEE

Please return the complete product, carriage paid to your original supplier or nearest Vent-Axia Centre, by post or personal visit. Please ensure that it is adequately packed and accompanied by a letter clearly marked "Guarantee Claim" stating the nature of the fault and providing evidence of date and source of purchase.

The guarantee is offered to you as an extra benefit, and does not effect your legal rights

Vent-Axia

Head Office: Fleming Way, Crawley, West Sussex, RH10 9YX. Tel: 01293 526062 Fax: 01293 551188

UK NATIONAL CALL CENTRE, Newton Road, Crawley, West Sussex, RH10 9JA

SALES ENQUIRIES: Tel: 0344 8560590 Fax: 01293 565169

TECHNICAL SUPPORT: Tel: 0344 8560594 Fax: 01293 532814

As part of the policy of continuous product improvement Vent-Axia reserves the right to alter specifications without notice.