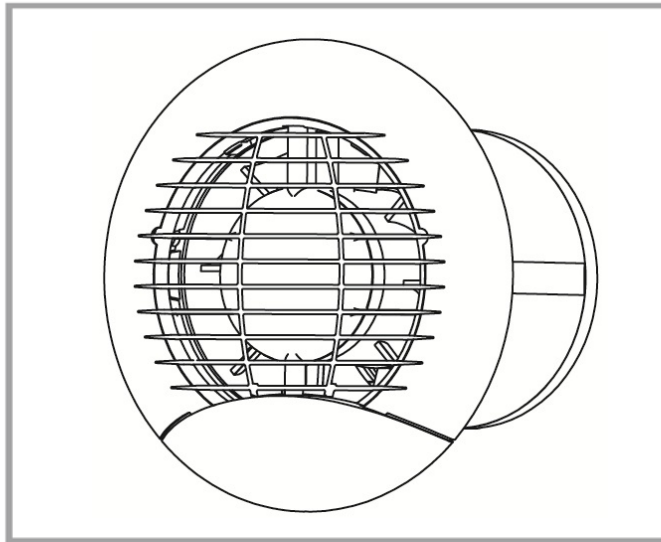


Eclipse

Installation and Wiring Instructions



| Models | Ref No. |
|---------------|-----------|
| Eclipse 100X | 42 73 10A |
| Eclipse 100XP | 42 72 81A |
| Eclipse 100XT | 42 72 82A |
| Eclipse 150X | 42 72 83A |
| Eclipse 150XP | 42 73 13A |

220-240V~50Hz

Vent-Axia®

UK
CA CE

PLEASE READ INSTRUCTIONS IN CONJUNCTION WITH ILLUSTRATIONS. PLEASE SAVE THESE INSTRUCTIONS.

Installation and Wiring Instructions for the Eclipse Range of Extractor Fans.



**IMPORTANT:
READ THESE INSTRUCTIONS
BEFORE COMMENCING THE
INSTALLATION**

DO NOT install this product in areas where the following may be present or occur:

- Excessive oil or a grease laden atmosphere.
- Corrosive or flammable gases, liquids or vapours.
- Ambient temperatures higher than 40°C or less than -5°C.
- Possible obstructions which would hinder the access or removal of the Fan.

SAFETY AND GUIDANCE NOTES

- A.** All wiring to be in accordance with the current I.E.E. Regulations, or the appropriate standards of your country and **MUST** be installed by a suitably qualified person.
- B.** The Fan should be provided with a local isolator switch capable of disconnecting all poles, having a contact separation of at least 3mm.
- C.** Ensure that the mains supply (Voltage, Frequency, and Phase) complies with the rating label.
- D.** The Fan should only be used in conjunction with the appropriate Vent-Axia products.
- E.** The fan should only be used in conjunction with fixed wiring.
- F.** When the Fan is used to remove air from a room containing a fuel-burning appliance, ensure that the air replacement is adequate for both the fan and the fuel-burning appliance.
- G.** The Fan should not be used where it is liable to be subject to direct water spray for prolonged periods of time.
- H.** Where ducted Fans are used to handle moisture-laden air, a condensation trap should be fitted. Horizontal ducts should be arranged to slope slightly downwards away from the Fan.
- I.** This appliance is not intended for use by persons (including children) with reduced physical, sensory or mental capabilities, or lack of experience and knowledge, unless they have been given supervision or instruction concerning use of the appliance by a person responsible for their safety.
- J.** Children should be supervised to ensure that they do not play with the appliance.
- K.** Stationary appliances not fitted with means for disconnection from the supply mains having a contact separation in all poles that provide full disconnection under over voltage category III, the instructions state that means for disconnection must be incorporated in the fixed wiring in accordance with the wiring rules.

DESCRIPTION

The Eclipse 100mm axial extract fans are suitable for domestic bathrooms and W.C's. The Eclipse 150mm axial extract fans are suitable for domestic kitchens and utility rooms. They are available as wall or panel mounted models with shutter, pullcord & timer combinations.

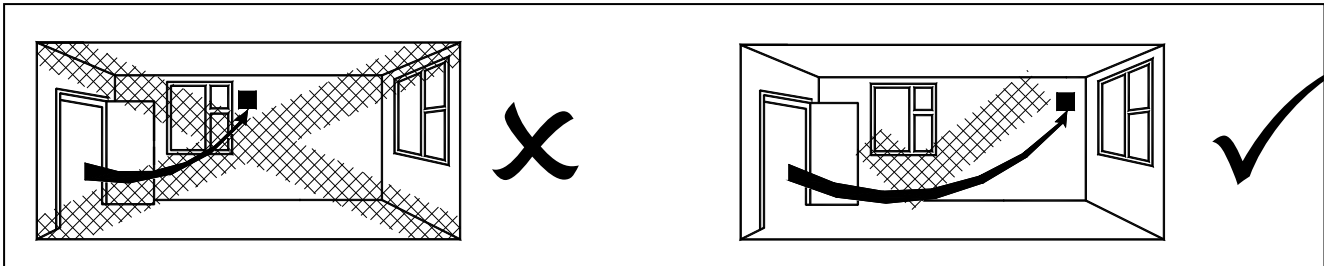
ACCESSORIES (not supplied)

WALL FITTING KIT

A range of 100mm and 150mm wall kits are available for installing into most walls using telescopic liners supplied.

| Fan Size | Stock Reference | |
|----------|-----------------|---------|
| | White | Brown |
| 100mm | 254102 | 254100 |
| 150mm | 140902A | 140903A |

A. INSTALLATION



PANEL MOUNTING

1. Cut a 105mm diameter hole for 100mm fans or a 155mm diameter hole for 150mm fans through the panel.
2. Remove the Inner Grille [A]. Insert a small bladed screwdriver between the bottom blade of the Inner Grille and the Outer Bezel [B]. Gently lever the bottom grille blade upwards and away from the Outer Bezel.
3. Remove Outer Bezel. Remove the two screws retaining the Bezel to the Base Housing [D]. Please note that the Outer Bezel is also secured into position via the central section and will require a small force to remove it.
4. Remove the Cable Grommet [C], and push the cable through the grommet including the outer core secondary insulation. Please ensure the correct cable is used as outlined in **Section C WIRING**.
5. Slide the Base Housing into the hole in the panel and secure into position using screws and fixings provided.
6. Ensure the fan blade rotates freely.
7. Select and follow the appropriate wiring diagram in **Section C WIRING**.
8. Replace the Outer Bezel ensuring the centre section positively clips into the Base Housing by carefully pushing from the centre.
9. Switch the mains power supply on and check the fan is operating correctly.

WALL MOUNTING (For wall installations see accessories table for a suitable wall kit).

1. Cut a 115mm diameter hole for 100mm fans or a 170mm diameter hole for 150mm fans through the wall and insert the wall sleeve and cement both ends into position flush with the wall faces. The wall sleeve should be angled downwards away from the fan to allow any condensation to drain to the outside wall.
2. Fix the outer grille as required, ensuring the louvres are pointing downwards.
3. Remove the Inner Grille [A]. Insert a small bladed screwdriver between the bottom blade of the Inner Grille and the Outer Bezel [B]. Gently lever the bottom grille blade upwards and away from the Outer Bezel.
4. Remove the Outer Bezel. Remove the two screws retaining the Bezel to the Base Housing [D]. Note that the Outer Bezel is also secured into position via the central section and will require a small force to remove it.
5. Remove the Cable Grommet [C], and push the cable through the grommet including the outer core secondary insulation. Please ensure the correct cable is used as outlined in **Section C WIRING**.
6. Slide the Base Housing into the Wall Liner and secure into position by tightening the Quick Clip screws [F] (fig. 2).
7. Ensure the fan blade rotates freely.
8. Select and follow the appropriate wiring diagram in **Section C WIRING**.
9. Replace the Outer Bezel ensuring the centre section positively clips into the Base Housing by carefully pushing from the centre.
10. Switch the mains power supply on and check the fan is operating correctly.



WARNING: THE FAN AND ANCILLARY CONTROL EQUIPMENT MUST BE ISOLATED FROM THE POWER SUPPLY DURING THE INSTALLATION / OR MAINTENANCE.

B. SETUP

TIMER ADJUSTMENT (T model)

The overrun time period is factory set to 15 minutes. The overrun time period may be adjusted from 5-30 minutes by altering the adjuster on the control PCB.

- i. To REDUCE the operating time, turn the adjuster (fig. 3.) CLOCKWISE.
- ii. To INCREASE the operating time, turn the adjuster (fig. 3.) ANTI-CLOCKWISE.

C. WIRING

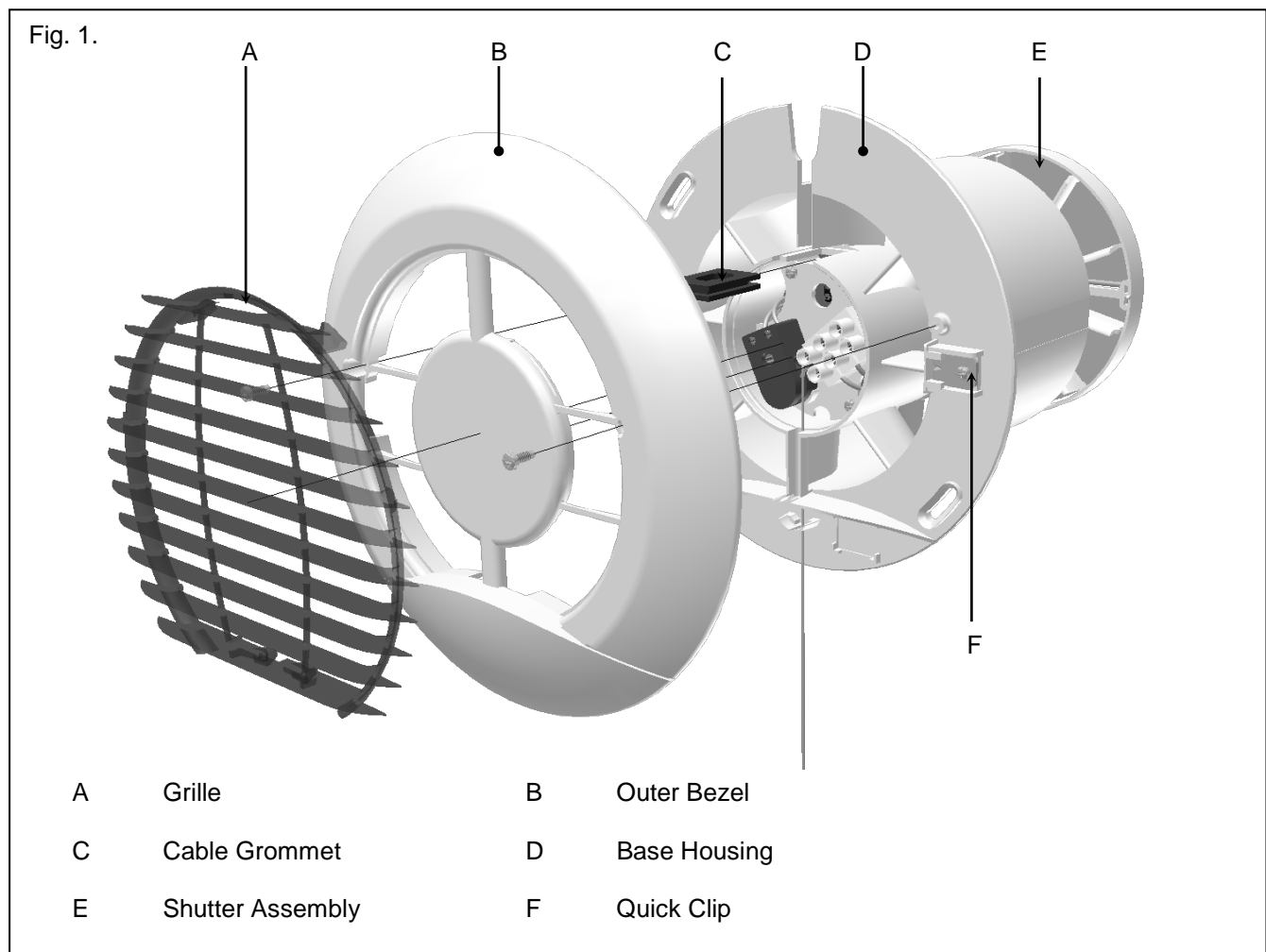
This product is designed for fixed wiring installations only. Flexible cord should not be used.

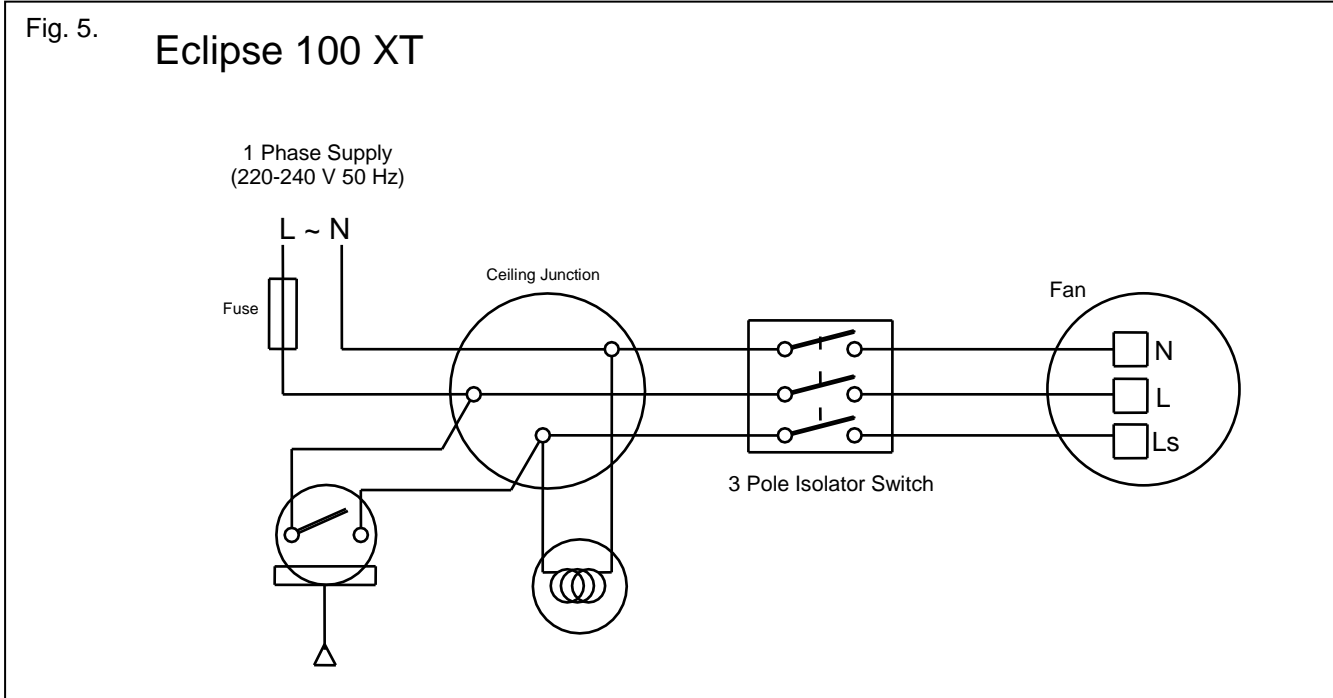
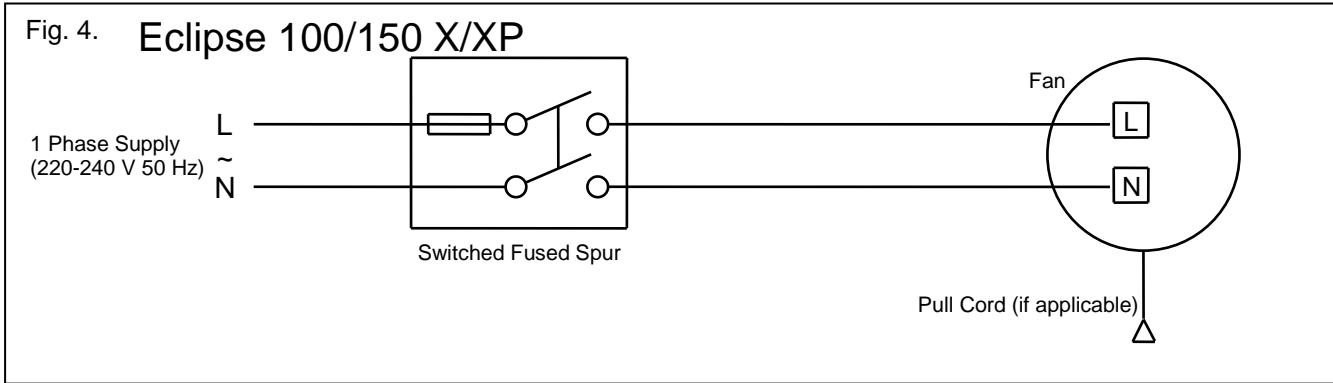
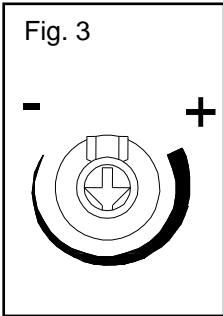
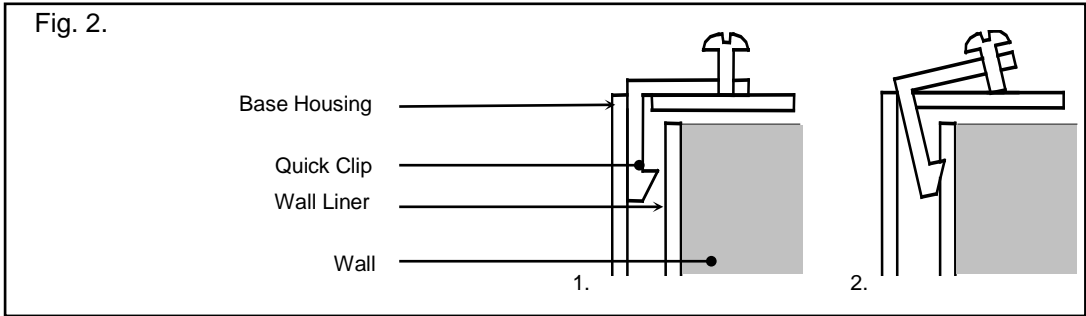
1. 1mm² or 1.5mm² solid/rigid core flat cable should be used.
2. Select and follow the appropriate wiring diagram (fig. 4/5).
3. Check all connections have been made correctly and ensure all terminal connections are securely fastened.
4. Ensure the integrity of the seal between the cable outer insulation and grommet and replace in the Base Housing. **THERE MUST BE NO GAPS BETWEEN THE GROMMET AND CABLE.**
5. Ensure the impeller rotates and is free from obstructions.

D. SERVICING AND MAINTENANCE

1. At intervals appropriate to the installation, the fan should be inspected and cleaned to ensure there is no build up of dirt or other deposits.
2. Wipe the inlets and front face with a damp cloth until clean.

The fan has sealed for life bearings, which do not require lubrication.







Disposal

This product should not be disposed of with household waste. Please recycle where facilities exist. Check with your local authority for recycling advice.

The **Vent-Axia** Guarantee

Applicable only to products installed and used in the United Kingdom. For details of guarantee outside the United Kingdom contact your local supplier.

Vent-Axia guarantees its products for two years from date of purchase against faulty material or workmanship. In the event of any part being found to be defective, the product will be repaired, or at the Company's option replaced, without charge, provided that the product:-

- Has been installed and used in accordance with the instructions given with each unit.
- Has not been connected to an unsuitable electricity supply. (The correct electricity supply voltage is shown on the product rating label attached to the unit).
- Has not been subjected to misuse, neglect or damage.
- Has not been modified or repaired by any person not authorised by the company.

IF CLAIMING UNDER TERMS OF GUARANTEE

Please return the complete product, carriage paid to your original supplier or nearest Vent-Axia Centre, by post or personal visit. Please ensure that it is adequately packed and accompanied by a letter clearly marked "Guarantee Claim" stating the nature of the fault and providing evidence of date and source of purchase.

The guarantee is offered to you as an extra benefit, and does not affect your legal rights

Vent-Axia

Head Office: Fleming Way, Crawley, West Sussex, RH10 9YX

EU Authorised Representative: Vent-Axia Bedrijvenweg 17 7442 CX Nijverdal Nederland. authorisedrep@vent-axia.nl

UK NATIONAL CALL CENTRE, Newton Road, Crawley, West Sussex, RH10 9JA

SALES ENQUIRIES: Tel: 0844 8560590 Fax: 01293 565169

TECHNICAL SUPPORT: Tel: 0844 8560594 Fax: 01293 539209

For details of the warranty and returns procedure please refer to www.vent-axia.com or write to Vent-Axia Ltd, Fleming Way, Crawley, RH10 9YX