

# Lo-Carbon Minivent

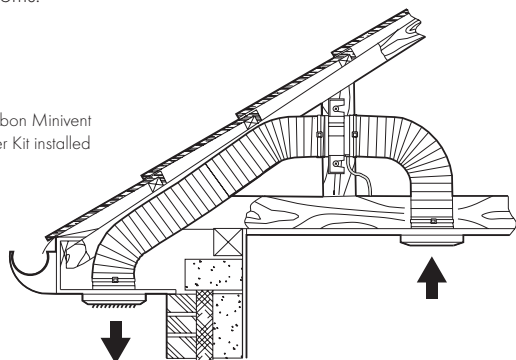
- Complete kit supplied
- Meets Building Regulations Approved Document F & L requirements for toilets and bathrooms at max 1.5m of ducting and 1x 90° bend
- Adjustable timer version available
- 5 year Motor Warranty
- 1 of 2 speeds selectable at installation



## Powerful Lo-Carbon In-Line Fan Kit

The Vent-Axia Lo-Carbon Minivent ducted bath/shower kit includes all the components necessary to install a ducted 100mm system. This simplifies fitting of an efficient ventilation system to small rooms including bathrooms, shower rooms and toilets. It is especially suitable for en-suite bathrooms.

Lo-Carbon Minivent Shower Kit installed



When installed, the fan kit has ample performance to meet the Building Regulations requirements for toilets and bathrooms. The timer version should be used for internal rooms.

The kit consists of a Lo-Carbon Minivent In-Line fan, a white ceiling grille and spigot, 3 metres of flexible duct and an external louvre for soffit or wall mounting. The duct should be cut to the required length and the bend radius kept to a maximum to provide optimum fan performance.

Enclosed terminal compartment, Class 2 appliance. Supply voltage 220-240/1/50Hz.

## Models

### Lo-Carbon Minivent Shower Fan (Basic)

Comprises - high output tube fan, 3 metres of flexible duct, ceiling inlet grille and spigot, soffit/wall outlet grille.

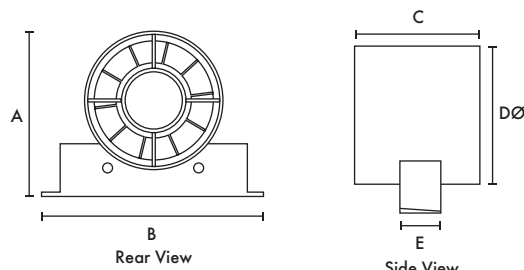
Model **Stock Ref**  
Basic **441421A**

### Lo-Carbon Minivent Shower Fan (Timer)

Comprises high output tube fan, 3 metres of flexible duct, ceiling inlet grille and spigot, soffit/wall outlet grille.

Model **Stock Ref**  
Timer **441422A**

## Dimensions (mm)



A	B	C	DØ	E
130	155	90	98	27

Internal/External Grille Dimensions 140x140mm

Transformer (W x H x D) 87 x 87 x 33

## Performance Guide

Model	Extract performance			Sound	SFP
	FID	FID	FID	dB(A)	(W/l/s)
	m <sup>3</sup> /h	l/s	Watts	@ 3m	@ OPa
Lo-Carbon Minivent B/T	110	31	6.5	23	0.21