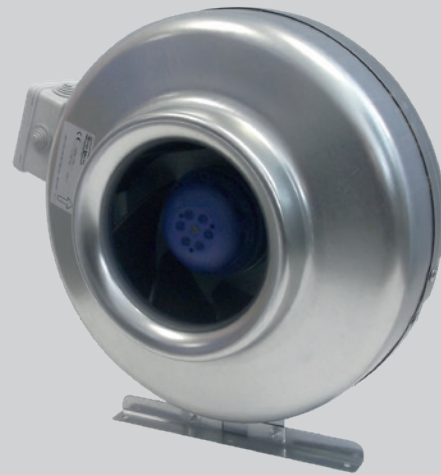


EuroSeries[®] (SDX)

- Available in sizes 100 to 315
- 200 and 250 sizes also available as high performance
- Motor Insulation Class B, protected to IP44
- Operating Temperatures from -25°C up to +60°C
- All units suitable for speed control
- Quality Assurance to BS EN ISO 9001:2015
- Performance tested to BS848 Part 1 1980
- 2 Year Warranty



The SDX Euroflow in-line centrifugal duct fans are designed around an efficient backward curved centrifugal impeller and external rotor motor to ensure a compact design, high performance and low sound levels.

The in-line fan casing is constructed from pressed steel and incorporates an aerodynamically designed airflow guide vane, ensuring maximum performance from the unit whilst maintaining minimum noise levels. All models are supplied with a simple mounting foot for ease of installation.

The SDX range is available in eight model sizes: 100, 125, 150, 200, 250 & 315mm diameter as standard performance and sizes 200 and 250 also available as a high performance in-line centrifugal duct fan. The range provides a performance up to 0.372m³/s with a maximum pressure development of 500 Pa.

The SDX range is suitable for the extract of clean air only. It is not suitable for extracting or transporting grinding dust, soot, explosive or other aggressive gases etc.

Impellers

The impellers are aerodynamically designed centrifugal backward curved type, manufactured by injection moulding of a polypropylene resin. The motor and impeller is factory matched, statically and dynamically balanced in two planes to ISO 1940, Grade G 6.3.

Motors

All units are fitted with motors protected to IP44, insulation Class B and are suitable for temperatures ranging from -25°C to +60°C with humidity levels of up to 95% RH ensuring reliable operation. All sizes are for a 220V/1/50Hz electrical supply and incorporate a manual reset thermal protection device.

Terminal Box

An IP54 terminal box fitted to the casing with multiple cable entry positions.

Performance

The fan performance is in accordance with tests to BS848 Part 1 1980, with the fan sound levels measured in a reverberant chamber in accordance with BS848 Part 2 1985.

Quality Assurance

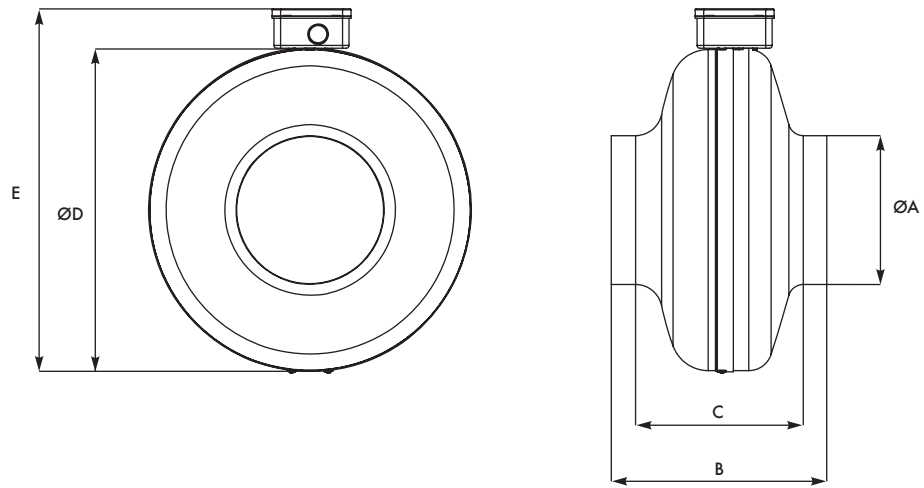
Design and manufacture is in accordance with the standard for quality management systems BS EN ISO 9001:2015.

Accessories

A full range of accessories are available with the Euroflow in-line centrifugal duct fans such as:

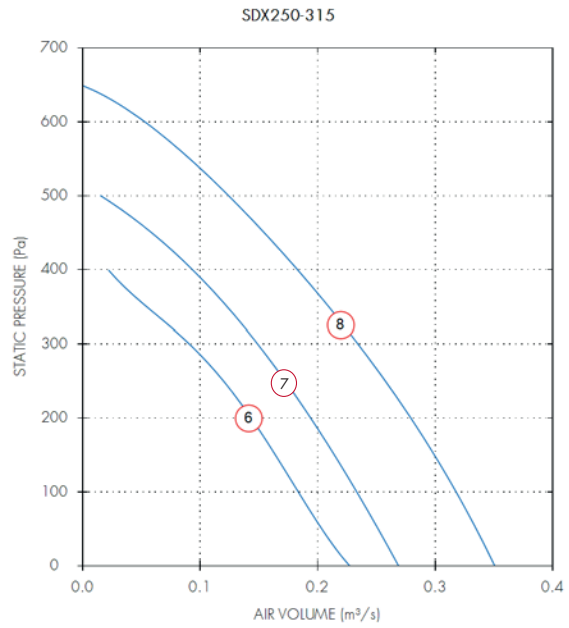
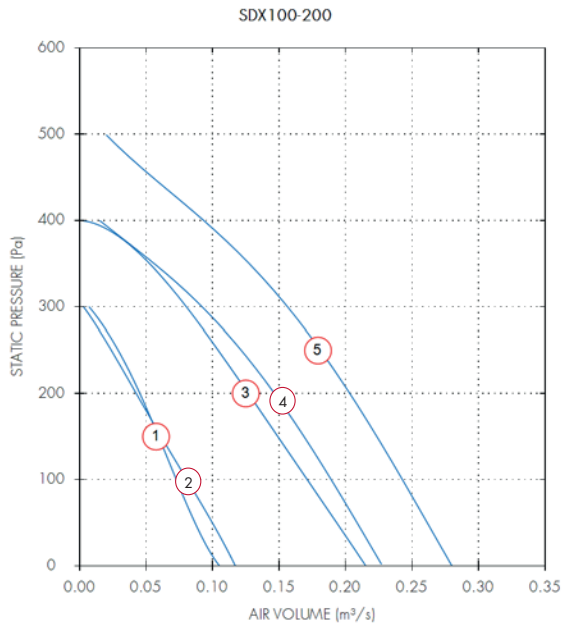
- Electronic Speed Controllers
 - Auto Transformer Speed Controllers
 - D.O.L. Starter and Overload
 - Pre & Secondary Filter Cassettes
 - Electric Heater Batteries
 - In-Line Attenuators
 - Backdraught Shutters
 - Fast Clamps
 - Flexible Ducting
 - Wall Terminals
 - Roof Terminals
-

Dimensions (mm)



Unit Size	ØA	B	C	ØD	E	kg
SDX100	100	189	152	244	287	3
SDX125	125	182	143	243	286	3
SDX150	150	217	166	344	387	3
SDX200	200	219	167	344	387	4
SDX200H	200	231	179	344	387	4.7
SDX250	250	223	167	344	387	4
SDX250H	250	230	167	344	387	4.7
SDX315	315	243	175	402	444	5.6

Performance Guide



Dia.	Motor Phase	Stock Ref	r.p.m	IP Rating	Curve Ref.	m³/s @ Pa						Motor kW	F.L.C Amps	dB(A) @ 3m
						0	100	200	300	400	500			
100	1	SDX100C	2800	IP44	1	0.11	0.07	0.05				0.07	0.31	26
125	1	SDX125C	2800	IP44	2	0.12	0.08	0.04				0.08	0.31	24
150	1	SDX150C	2800	IP44	3	0.22	0.17	0.13	0.08			0.1	0.44	35
200	1	SDX200C	2600	IP44	4	0.23	0.19	0.15	0.09			0.11	0.45	34
200	1	SDX200HC	2660	IP44	5	0.28	0.24	0.2	0.16	0.09		0.14	0.56	38
250	1	SDX250C	2600	IP44	6	0.23	0.18	0.14	0.09			0.11	0.45	31
250	1	SDX250HC	2460	IP44	7	0.27	0.23	0.19	0.15	0.09	0.02	0.13	0.56	34
315	1	SDX315C	2567	IP44	8	0.35	0.32	0.28	0.23	0.18	0.12	0.22	0.96	36

Sound Power Level Spectra dB (ref 10⁻¹² Watts)

Dia.	Motor Phase	Stock Ref	Spectrum	dB(A) @ 3m							
				125	250	500	1k	2k	4k	8k	dB(A) @ 3m
100	1	SDX100C	Inlet	53	58	60	66	65	58	47	49
100	1	SDX100C	Outlet	54	60	61	67	66	58	48	50
100	1	SDX100C	Breakout	34	58	44	55	54	47	37	39
125	1	SDX125C	Inlet	50	54	63	65	64	56	47	48
125	1	SDX125C	Outlet	49	53	61	64	63	55	45	47
125	1	SDX125C	Breakout	28	29	45	53	52	44	35	36
150	1	SDX150C	Inlet	51	66	67	71	62	61	53	52
150	1	SDX150C	Outlet	52	67	68	72	64	63	50	54
150	1	SDX150C	Breakout	30	49	51	60	52	50	36	41
200	1	SDX200C	Inlet	46	53	62	66	63	64	54	50
200	1	SDX200C	Outlet	45	54	61	68	64	65	53	51
200	1	SDX200C	Breakout	22	24	41	49	53	43	40	35
200	1	SDX200HC	Inlet	53	60	66	69	66	65	63	53
200	1	SDX200HC	Outlet	54	62	65	70	67	67	63	54
200	1	SDX200HC	Breakout	25	35	46	53	55	47	45	38
250	1	SDX250C	Inlet	41	52	61	66	66	64	56	51
250	1	SDX250C	Outlet	43	53	60	68	67	65	57	52
250	1	SDX250C	Breakout	24	30	38	48	47	45	40	32
250	1	SDX250HC	Inlet	54	62	67	69	67	67	65	54
250	1	SDX250HC	Outlet	55	63	66	70	68	67	65	54
250	1	SDX250HC	Breakout	33	38	47	50	48	47	46	34
315	1	SDX315C	Inlet	50	59	67	68	66	65	64	52
315	1	SDX315C	Outlet	51	60	66	69	67	66	65	53
315	1	SDX315C	Breakout	33	38	45	48	47	45	43	32

Models & Accessories

Fan	Speed Controller		Starter (requires Overload)	Overload
Stock Ref	Stock Ref	Stock Ref	Stock Ref	Stock Ref
SDX100C	SC5001	SPM5020	444744	444696
SDX125C	SC5001	SPM5020	444744	444696
SDX150C	SC5001	SPM5020	444744	444697
SDX200C	SC5001	SPM5020	444744	444698
SDX200HC	SC5001	SPM5020	444744	444699
SDX250C	SC5001	SPM5020	444744	444698
SDX250HC	SC5001	SPM5020	444744	444699
SDX315C	SC5001	SPM5020	444744	444699

Dia	In-Line Attenuators			
	300mm Stock Ref	600mm Stock Ref	900mm Stock Ref	1200mm Stock Ref
100	83010030	83010060	83010090	-
125	83012030	83012060	83012090	-
150	83015030	83015060	83015090	-
200	-	83020060	83020090	83020120
250	-	83025060	83025090	83025120
315	-	83031060	83031090	83031120

Fan	Wall Terminal	Wall Terminal	Electric Heaters	Panel Filters
Stock Ref	Stock Ref	Stock Ref	Stock Ref	Stock Ref
100	SA100/280	SA100/80	10531100T1	QPF100A
125	SA125/280	SA125/80	10531125T1	QPF125A
150	SA150/280	SA150/80	10531150T1	QPF150A
200	SA200/280	SA200/80	10531200T1	QPF200A
250	SA250/280	SA250/80	10531250T1	QPF250A
315	SA315/280	SA315/80	10531315T1	QPF315A

Fan	Bag Filters	Roof Terminal	Louvre Shutter
Stock Ref	Stock Ref	Stock Ref	Stock Ref
100	QPFB100A	WRC100	LS250
125	QPFB125A	WB160	LS250
150	QPFB150A	WB160	LS250
200	QPFB200A	WB200	LS250
250	QPFB250A	RCZ300	LS250
315	QPFB315A	RCZ300	LS315