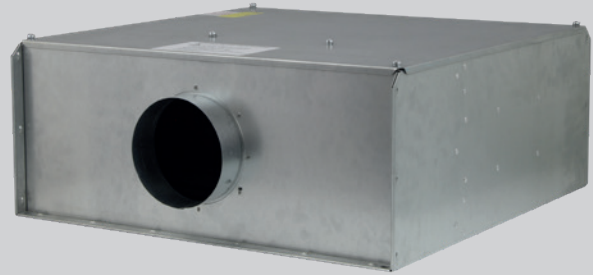


# Slimpak EC Box Fan (SLPT EC)

- Compact low profile design
- Duct Sizes 100 - 500mm
- Performance - Airflow 0.01 to 1.2m<sup>3</sup>/s, Pressure up to 650Pa
- Latest energy saving EC/DC motors
- Internal mounting IPX2
- Manufactured controlled to BS EN ISO 9001:2015
- Performance tested to BS848 Part 1 & 2



The Slimpak EC twin in-line duct fans incorporate energy efficient EC motors and basic commissioning controls to offer an energy efficient twin extract fan system.

Manufactured from prime quality galvanised sheet steel the Slimpak (SLPT EC) twin fan units are internally treated with an 'O' class rated, BS476 part 6 & 7, acoustic foam, which offers the benefits of high sound absorption, good thermal insulation properties in addition to self extinguishing properties and resistant to ignition.

The housing is designed to be as compact as possible for concealed false ceiling applications yet is suitable for ceiling or floor mounting, non-return dampers can be easily rotated on site to suit the application.

---

## Motor / Impellers

All SLPT EC units feature a low energy, Class 1, EC/DC external rotor motor and backward curved impeller assembly specifically chosen for performance and non-overloading characteristics. The assembly is dynamically balanced to DIN ISO 1940 Grade 6.3, duct size 500mm rated IP54, all other sizes, IP44 according to BS EN 60529. Ball bearings are greased for life. Insulation is Class 'B' (from -25°C to +60°C).

All models incorporate internal electronic overload protection and soft start function.

---

## Electrical

Every SLPT EC unit is fitted with a purpose designed common integral commissioning controller giving the ability to set the exact duty required at commissioning. Alternatively the integral potentiometer can be bypassed to allow remote speed control via an external 0-10V potentiometer. Low voltage wiring is kept separate from the mains wiring.

---

---

## Electrical

Motors are single phase 230V +/- 10% / 50/60Hz / 1ph (size 100-400mm) or 400V +/- 10% / 50/60Hz / 3ph (size 500mm), (4 wire systems only).

---

## Performance/Sound

Extensively tested to BS848 parts 1 & 2. Published dB(A) figures are free field sound pressure levels at 3m with spherical propagation at reference level of 2x10<sup>-5</sup> Pa. The inlet/outlet sound power level spectra figures are dB with a reference of 10-12 watts.

---

## Quality Assurance

Design and manufacture are in accordance with the standard for quality management systems BS EN ISO 9001:2015.

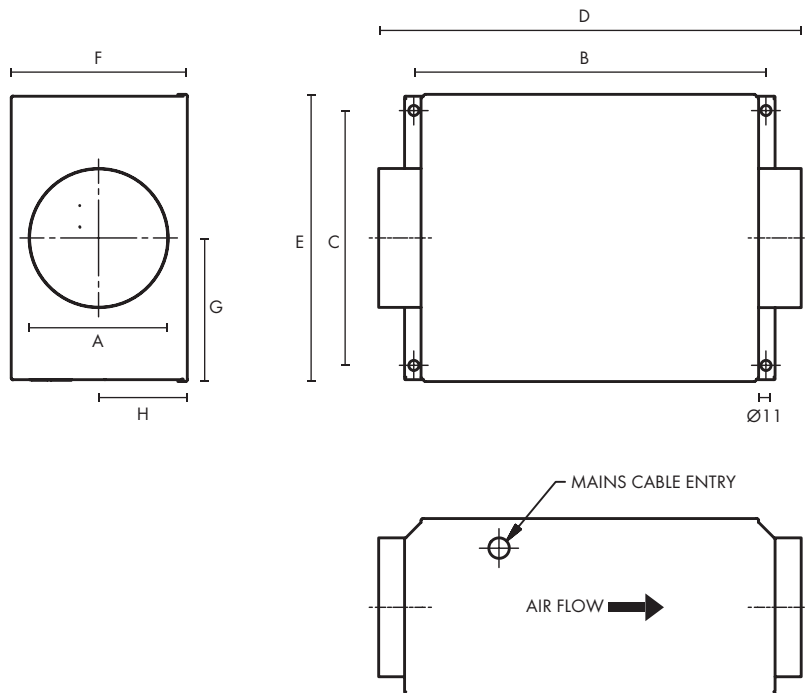
---

## Accessories

A full range of accessories are available with the Slimpak EC range of fans such as:

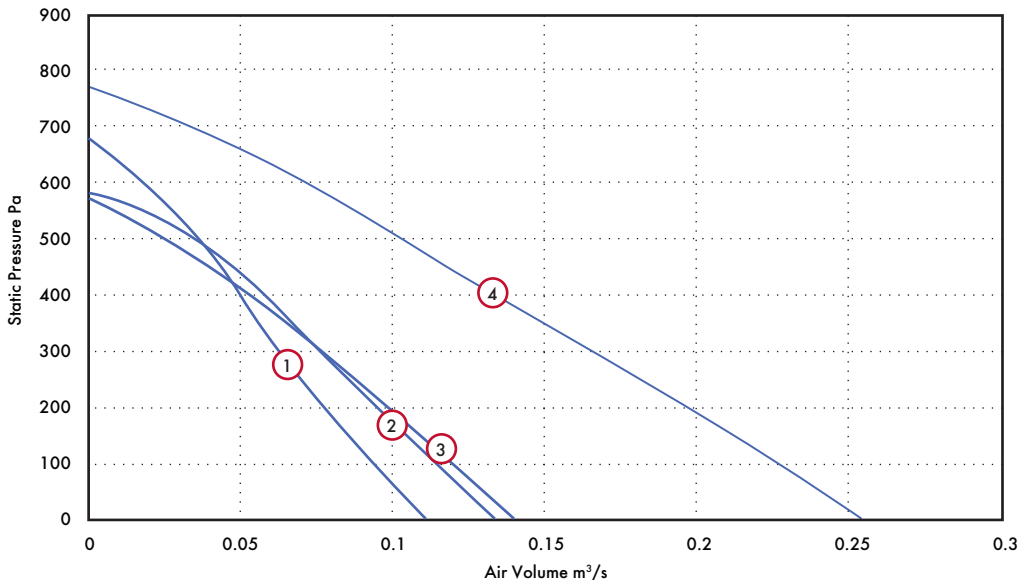
- Auto changeover controller designed for EC motors
  - Two speed trickle boost controller
  - Pre & secondary filter cassettes
  - Electric heater batteries
  - Backdraught shutters
  - In-line attenuators
-

Dimensions (mm)



Stock Ref	A	B	C	D	E	F	G	H	kg
SLPT100EC	100	610	591	705	622	256	311	128	26
SLPT125EC	125	610	591	705	622	256	311	128	26
SLPT150EC	150	610	591	705	622	256	311	128	26
SLPT200EC	200	801	703	896	734	343	367	172	39
SLPT250EC	250	925	798	1020	829	354	415	177	48
SLPT315EC	315	1255	1145	1353	1176	536	588	268	88
SLPT400EC	400	1255	1145	1353	1176	536	588	268	90
SLPT500EC	500	1492	1533	1590	1564	675	782	338	175

## Performance Guide

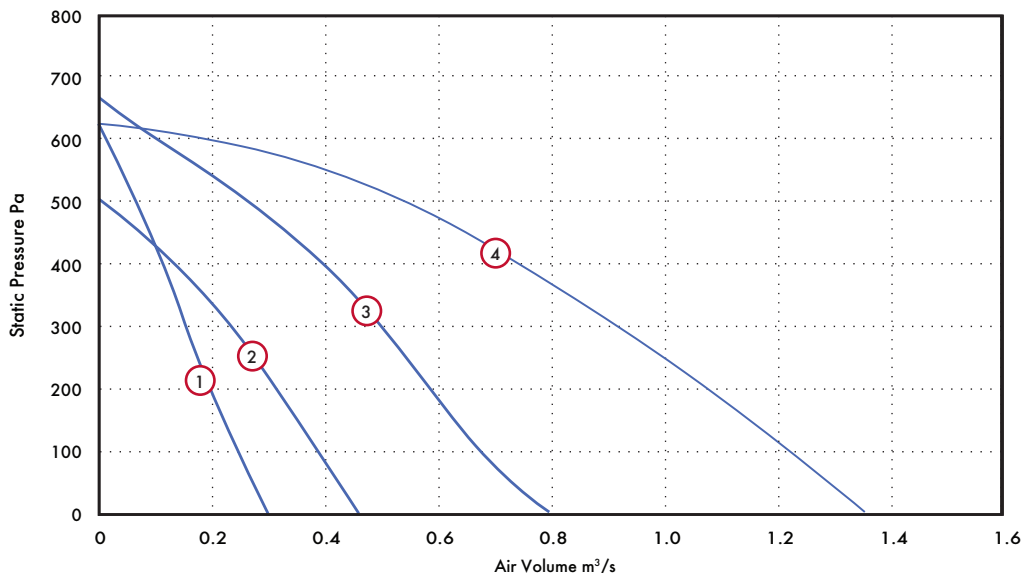


Dia.	Motor Phase	Stock Ref	IP Rating	Curve Ref.	m³/s @ Pa								S.C. Amps	F.L.C Amps	dB(A) @ 3m	
					0	100	200	300	400	500	600	700				
100	1	SLPT100EC	IP44	1	m³/s	0.11	0.09	0.08	0.06	0.05	0.04	0.02	0.69	0.69	36	
					kW	0.08	0.08	0.08	0.08	0.08	0.08	0.08				
					W/l/s	0.74	0.89	1.09	1.34	1.70	2.35	4.40				
125	1	SLPT125EC	IP44	2	m³/s	0.13	0.11	0.09	0.08	0.06	0.03	0.72	0.72	39		
					kW	0.08	0.08	0.08	0.08	0.08	0.08					
					W/l/s	0.61	0.72	0.87	1.08	1.42	2.24					
150	1	SLPT150EC	IP44	3	m³/s	0.14	0.12	0.10	0.08	0.05	0.02	0.71	0.71	39		
					kW	0.08	0.08	0.08	0.08	0.08	0.08					
					W/l/s	0.58	0.70	0.84	1.07	1.54	3.09					
200	1	SLPT200EC	IP44	4	m³/s	0.25	0.23	0.20	0.17	0.13	0.10	0.07	0.04	1.4	1.4	42
					kW	0.16	0.17	0.17	0.17	0.17	0.17	0.17	0.16			
					W/l/s	0.63	0.72	0.84	1.01	1.26	1.64	2.34	4.37			

## Sound Power Level Spectra dB (ref 10<sup>-12</sup> Watts)

Dia.	Motor Phase	Stock Ref	Spectrum	dB(A) @ 3m								
				63	125	250	500	1k	2k	4k	8k	
100	1	SLPT100EC	Inlet	55	63	56	53	49	45	38	34	35
			Outlet	53	65	59	58	54	55	48	39	40
			Breakout	65	69	61	50	42	40	37	36	36
125	1	SLPT125EC	Inlet	52	66	66	56	51	47	38	39	40
			Outlet	54	69	64	61	57	57	52	43	43
			Breakout	59	72	64	52	41	36	35	36	39
150	1	SLPT150EC	Inlet	58	66	66	59	50	46	39	36	40
			Outlet	60	71	67	64	61	61	55	49	47
			Breakout	60	63	62	59	51	47	42	41	39
200	1	SLPT200EC	Inlet	58	70	63	68	62	55	51	49	47
			Outlet	68	75	65	80	67	67	64	60	58
			Breakout	67	69	64	63	51	45	38	40	42

## Performance Guide



Dia.	Motor Phase	Stock Ref	IP Rating	Curve Ref.	m <sup>3</sup> /s @ Pa								S.C. Amps	F.L.C Amps	dB(A) @ 3m
					0	100	200	300	400	500	600				
250	1	SLPT250EC	IP44	1	m <sup>3</sup> /s	0.30	0.25	0.20	0.15	0.11	0.07	0.01	1.4	1.4	39
					kW	0.14	0.14	0.14	0.14	0.14	0.14	0.12			
					W/l/s	0.47	0.58	0.69	0.88	1.25	2.13	17.44			
315	1	SLPT315EC	IP44	2	m <sup>3</sup> /s	0.46	0.39	0.32	0.24	0.14			1.4	1.4	43
					kW	0.14	0.14	0.15	0.15	0.15					
					W/l/s	0.30	0.36	0.46	0.63	1.06					
400	1	SLPT400EC	IP44	3	m <sup>3</sup> /s	0.80	0.68	0.59	0.50	0.40	0.27	0.10	2.86	2.86	48
					kW	0.39	0.38	0.37	0.36	0.37	0.39	0.39			
					W/l/s	0.49	0.56	0.63	0.73	0.92	1.46	3.90			
500	3	SLPT500EC	IP54	4	m <sup>3</sup> /s	1.37	1.24	1.09	0.92	0.75	0.57	0.35	2.1	2.1	46
					kW	0.61	0.67	0.71	0.73	0.73	0.71	0.66			
					W/l/s	0.45	0.54	0.66	0.79	0.97	1.25	1.88			

## Sound Power Level Spectra dB (ref 10<sup>-12</sup> Watts)

Dia.	Motor Phase	Stock Ref	Spectrum	63	125	250	500	1k	2k	4k	8k	dB(A) @ 3m
250	1	SLPT250EC	Inlet	64	68	61	69	60	50	50	47	47
			Outlet	63	69	62	78	66	67	61	57	56
			Breakout	61	64	61	60	49	42	36	35	39
315	1	SLPT315EC	Inlet	63	74	65	59	52	46	43	40	42
			Outlet	66	76	68	69	63	61	53	45	49
			Breakout	66	72	71	51	44	38	36	32	43
400	1	SLPT400EC	Inlet	73	82	73	66	62	53	50	45	50
			Outlet	75	85	78	77	73	69	63	55	58
			Breakout	78	77	75	61	55	48	46	41	48
500	3	SLPT500EC	Inlet	88	93	86	80	71	67	59	53	62
			Outlet	87	91	89	84	83	78	68	62	67
			Breakout	74	80	76	67	61	54	44	36	50

## Models & Accessories



Fan Stock Ref	Trickle/Boost Controller Stock Ref	EC Fan Changeover Controller Stock Ref
SLPT100EC	475775	476367
SLPT125EC	475775	476367
SLPT150EC	475775	476367
SLPT200EC	475775	476367
SLPT250EC	475775	476367
SLPT315EC	475775	476367
SLPT400EC	475775	476367
SLPT500EC	475775	476367



Backdraught Shutter  
Stock Ref



Fast Clamp  
Stock Ref



Anti-Vibration Mounts (set of 4)  
Stock Ref

Size	Backdraught Shutter Stock Ref	Fast Clamp Stock Ref	Anti-Vibration Mounts (set of 4) Stock Ref
100	10542100	10540100	68MP033G
125	10542125	10540125	68MP033G
150	10542150	10540150	68MP033G
200	10542200	10540200	68MP033G
250	10542250	10540250	68MP033G
315	10542315	10540315	68MP033G
400	10542400	10540400	68MP033G
500	-	-	68MP033G



Duct Attenuator

Size	300mm Stock Ref	600mm Stock Ref	900mm Stock Ref	1200mm Stock Ref
100	10534100	10535100	10536100	-
125	10534125	10535125	10536125	-
150	10534150	10535150	10536150	-
200	-	10535200	10536200	10537200
250	-	10535250	10536250	10537250
315	-	10535315	10536315	10537315
400	-	10535400	10536400	10537400
500	-	-	10536500	-

## Models & Accessories



Size	Duct Air Heater Stock Ref	Filter Cassette Stock Ref	Bag Filter Cassette Stock Ref	Flexible Connections Stock Ref
100	10531100T1	10532100	10533100	FLX100
125	10531125T1	10532125	10533125	FLX125
150	10531150T1	10532150	10533150	FLX150
200	10531200T1	10532200	10533200	FLX200
250	10531250T1	10532250	10533250	FLX250
315	10531315T1 10531315T3	10532315	10533315	FLX315
400	10531400T3	10532400	10533400	FLX400
500	10531500T3	10532500A	10533500	FLX500