

# Traditional T-Series Darkroom Fan

- Extract/intake models in 4 sizes: 6", 7", 9" and 12"
- Specially designed to provide extract/intake ventilation in darkrooms, X-ray areas, etc
- Patented electronic shutter system ensures quiet, trouble free operation
- For the very best from your fan use the Ecotronic controller
- Integrated component design allows all parts to be dismantled for cleaning without the use of specialist tools
- Easy fit connector Top Socket, standard on all models



## UK's No. 1 Commercial Fan

A range designed for photographic, medical, dental and veterinarian applications, also for opticians and other specialist applications. Most darkrooms need a minimum of ten air changes per hour for comfort and efficiency. For rooms containing heat producing equipment (eg: print glazers) a higher rate of air change may be desirable.

The Darkroom fitting kit has two cowls, the interior cowl being designed to give light protection. It can be installed in windows, partitions, external walls or roofs. Extended fixing rods for fixing thicknesses up to 370mm are supplied with the unit. Provision should be made for adequate air replacement through Vent-Axia non-vision grilles.

## Shutter

With energy savings in mind Darkroom models are supplied complete with an integral instantaneous automatic louvre shutter concealed behind the interior cowl. Operates on intake and extract at any angle of mounting.

When used with a T-Series or Ecotronic controller, the shutter can be set open with the fan motor switched Off to provide natural ventilation without the security risk of an open window.

## Top Socket

A connector Top Socket is standard on all T-Series fans. Allowing fast and trouble-free mains connection.

## Electrical

Suitable for running at any angle. Quiet running, enclosed. Fitted with Standard Thermal Overload Protection (S.T.O.P.).

Supply voltage: 220-240V/1/50Hz.

Suitable for operation in ambient temperatures from -40°C to +50°C.

## Models

### Complete Fan

Model	Stock Ref
TX6DR	W161240B
TX7DR	W162240B
TX9DR	W163240B
TX12DR	W164240B

### Fan Core (excludes Fitting Kit)

Size	Stock Ref
TX6	472012
TX7	472013
TX9	472014
TX12	472015

### Darkroom Kit (excludes Fan Core)

Size	Stock Ref
TX6	472032
TX7	472033
TX9	472034
TX12	472035

## Controllers



### Ecotronic Controller Surface Mounting

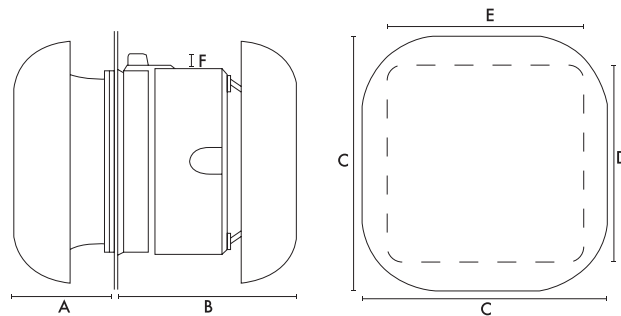
Stock Ref  
W362320



### T-Series Controller Surface Mounting

Stock Ref  
W361119

## Dimensions (mm)



Size Dim.	6 in	7 in	9 in	12 in
A	100	136	136	171
B	196	206	229	308
C	285	400	400	500
D	220	258	302	378
E	226	265	304	381
F	19	19	19	19
Fixing Hole Ø	184	222	260	337
Weight kg*	4.13	5.33	6.60	10.05

\*Complete product.

## Performance Guide

Model	Extract performance m <sup>3</sup> /h (l/s)			Watts (high)	Sound dB(A) (med) @ 3m	Amps @ 240V
	low	medium	high			
TX6 Darkroom	200 (55)	240 (67)	265 (74)	30	43	0.24
TX7 Darkroom	330 (92)	415 (115)	530 (147)	40	42	0.24
TX9 Darkroom	455 (126)	630 (175)	725 (201)	85	45	0.42
TX12 Darkroom	870 (242)	1040 (289)	1130 (314)	105	42	0.51