

# VA150

- Complete with window kit
- 2 Year Warranty
- Meets current Building Regulations Approved Document F
- Integrated, concealed shutter
- Natural trickle vent facility when unpowered



## Kitchen Ventilation

VA150 Window models are designed to alleviate the everyday problems that condensation and household odours may cause. Effectively extracts odours and moisture laden air from kitchens giving a healthy and fresh environment.

## Shutter

The louvre shutter on the VA150 is concealed behind the interior grille. Operates automatically when the fan is switched On. Natural trickle vent facility (unpowered) available on all models.

## Building Regulations

The VA150 Range is specifically sized to meet the current Building Regulation requirements for powered extract ventilation in domestic kitchens. The VA150 range is fitted with internal and external louvres conforming to the latest international safety standards.

## Motor

Maintenance free, sealed for life ball bearings in the purpose made electric motor, economical and quiet running. Double insulated appliance. Supply voltage 220-240V/1/50Hz.

## Models

### VA150P (Pullcord)

Specifically designed for domestic use in kitchens and utility rooms, the VA150P is a single speed 150mm (6") extract ventilation unit for windows. Fan and shutter operated by integral pullcord. (window kit supplied). IP24 Rated. Colour: white.

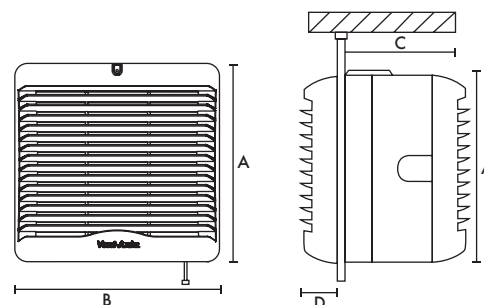
**Model** Stock Ref  
P 152110B

### VA150A

A single speed 150mm (6") extract fan with instant opening/closing shutter operated by remote switch. Suitable for installation in bathroom or kitchen. (Window kit supplied). IP44 Rated. Colour: white.

**Model** Stock Ref  
A 153110B

## Dimensions (mm)



A	B	C	D
216	224	130	55

Weight 2.5kg

Window fixing hole  $\varnothing$  184mm

## Performance Guide

Model	Shutter Attenuator	Extract Performance FID			Sound dB(A)
		m <sup>3</sup> /h	l/s	Watts	@ 3m
VA150P/A	Pullcord/Instant	220	60	19	37